

Acco[®] WRIGHT[®]

end truck accessories
hand-gearred
drive

instruction
and parts
manual

WARNING

This equipment should not be installed, operated or maintained by any person who has not read all the contents of these instructions. Failure to read and comply with these instructions or any one of the limitations noted herein can result in serious bodily injury or death, and/or property damage.

Only competent engineering and fabrication personnel, familiar with standard crane design and fabrication practices, should be employed to design and fabricate cranes using this equipment because of the necessity of properly interpreting these instructions and for the purposes of determining appropriate compatible equipment and product applications. Acco disclaims any responsibility for the quality of design and workmanship employed in the design and fabrication of a crane or other system using this equipment or the sufficiency of the structure in which and to which this equipment is to be installed or the sufficiency of the crane or system to sustain any particular load that may be imposed upon it. Contact Acco Chain & Lifting Products for additional information if necessary.

There are no other warranties which extend beyond the description on the Order Acknowledgment and as it may apply to the specifications provided in this publication. THE IMPLIED WARRANTIES OF MERCHANTABILITY AND FITNESS FOR A PARTICULAR PURPOSE ARE EXCLUDED. Acco shall in no event be liable for any special, direct, indirect, incidental or consequential damages to anyone beyond the cost of replacement of the goods sold hereby.

⚠ CAUTION

These general instructions deal with the normal installation, operation, and maintenance situations encountered with the equipment described herein. The instructions should not be interpreted to anticipate every possible contingency or to anticipate the final crane or system configuration that uses this equipment.

This manual includes instructions and parts information for a variety of crane component equipment. Therefore, all instructions and parts information may not apply to any one type or size of equipment. Disregard those portions of the instructions which do not apply.

Use only Acco authorized replacement parts in the service and maintenance of this equipment.

⚠ WARNING

Equipment described herein is not designed for and should not be used for lifting, supporting, or transporting humans.

Equipment described herein should not be used in conjunction with other equipment unless necessary and/or required safety devices applicable to the system, crane, and application are installed by the crane builder or user.

Modifications to upgrade, rerate, or otherwise alter this equipment shall be authorized only by the original equipment manufacturer or qualified professional engineer.

Equipment described herein is only for use in the design and manufacture of cranes. Additional equipment or devices may be required for the crane to comply with applicable crane design and safety standards. The crane designer, crane manufacturer, or user is responsible to furnish these additional items for compliance. Refer to ASME B30.17 for top-running single girder cranes or ASME B30.11 for underhung single girder cranes.

Electrical equipment described herein is designed and built in compliance with ACCO's interpretation of ANSI/NFPA 70 (National Electrical Code). The crane designer, crane manufacturer or user is responsible to assure that the installation and associated wiring of these electrical components is in compliance with ANSI/NFPA 70, and all applicable Federal, State and Local Codes.

Failure to read and comply with any one of the limitations noted herein can result in serious bodily injury or death, and/or property damage.

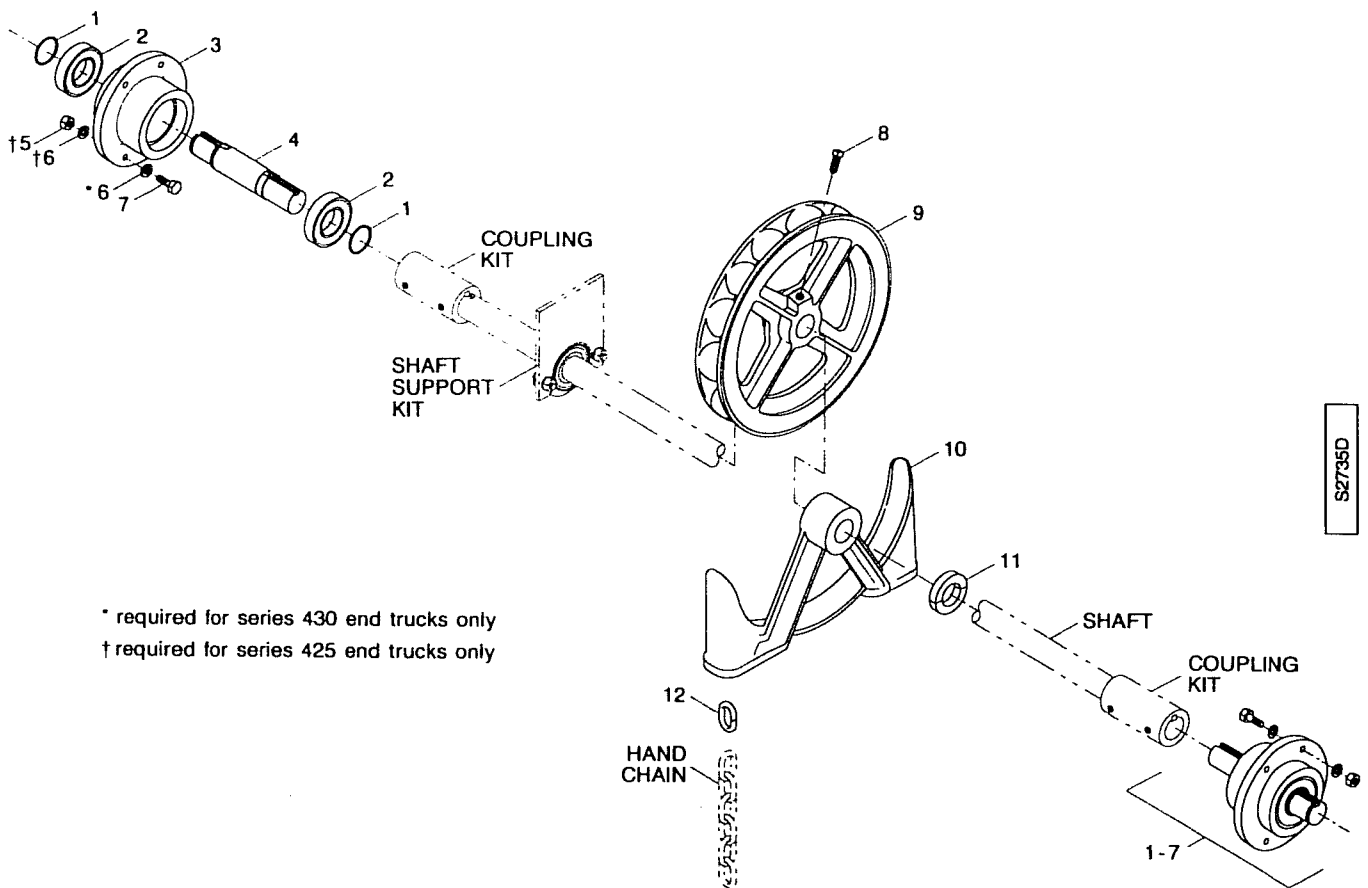
⚠ DANGER

HAZARDOUS VOLTAGES ARE PRESENT IN THE CONTROL BOX, OTHER ELECTRICAL COMPONENTS, AND CONNECTIONS BETWEEN THESE COMPONENTS.

Before performing ANY mechanical or electrical maintenance on the equipment, de-energize (disconnect) the main switch supplying power to the equipment; and lock and tag the main switch in the de-energized position.

Only trained and competent personnel should inspect and repair this equipment.

HAND DRIVE PARTS



* required for series 430 end trucks only
 † required for series 425 end trucks only

HAND DRIVE KIT - Product Number 6432050

ITEM NO.	PART NUMBER	DESCRIPTION	QTY/ ASSY
1	PA6939	Retaining Ring	4
2	PA1959	Bearing	4
3	69384	Drive Housing	2
4	69383	Drive Shaft	2
5	22-5C	Nut 5/16-18	8
6	17-5C	Lockwasher 5/16	8
7	35-5-24	Bolt 5/16-18 x 1-1/2"	8

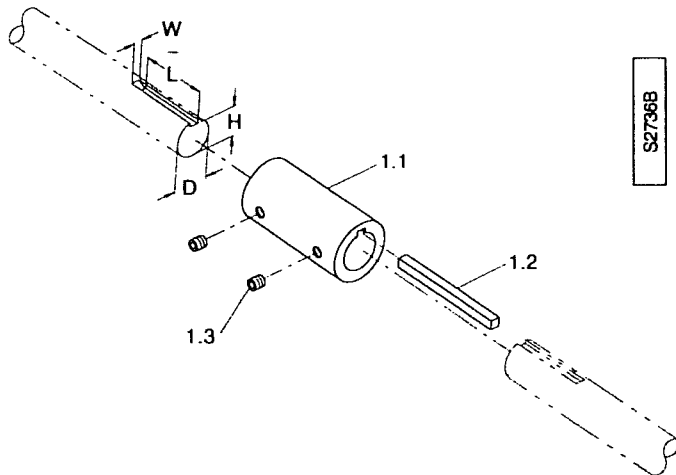
ITEM NO.	PART NUMBER	DESCRIPTION	QTY/ ASSY
1-4	69385-02	Complete Hand Drive Unit Assembly	2 (a)
8	14-8-16	Set Screw	1
9	B302-6	Handwheel	1
10	B1569-1	Handwheel Guide	1
11	PA5717	Shaft Collar	1
12	60252-01	Connecting Link	1

(a) This unit is an assembly of items 1 thru 4 and may be purchased as a complete unit.

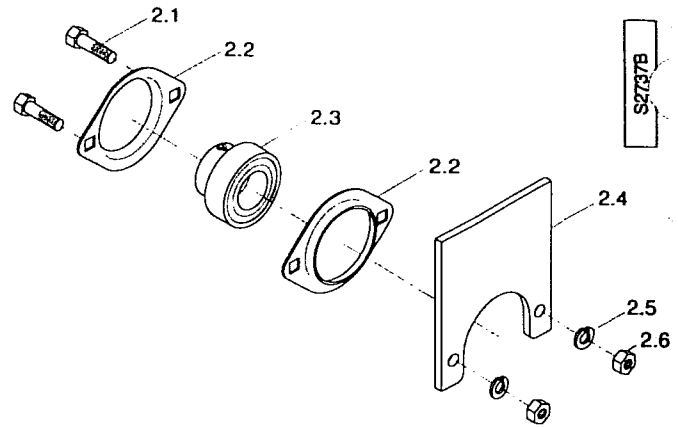
OTHER RECOMMENDED ITEMS FOR FABRICATING HAND-GEARED CRANES

ITEM	ORDER BY:	CRANE SPAN	CRANE SPAN	CRANE SPAN	CRANE SPAN
		20 FEET OR LESS	21 TO 30 FEET	31 TO 40 FEET	41 TO 50 FEET
Shaft Coupling Kits	Product No. 6402010 - See pg. 4	Quantity - 2	Quantity - 3	Quantity - 3	Quantity - 4
Shaft Support Kit(s)	Product No. 4250310 - See pg. 4	Quantity - 1	Quantity - 2	Quantity - 3	Quantity - 4
Hand Chain for Series 425 Underhung End Trucks	Part No. 48158-1 Order length as required (in feet)	To determine chain length: Find height from operating floor to bottom of runway flange (in feet). Multiply this number by 2, then subtract 4 feet.			
Hand Chain for Series 430 Top Running End Trucks	Part No. 48158-1 Order length as required (in feet)	To determine chain length: Find height from operating floor to top of runway rail/bar (in feet). Multiply this number by 2, then subtract 3 feet.			
Shafts	Supplied by Customer.	See page 4 for dimensions of shafting and keyways.			

SHAFT COUPLING PARTS



SHAFT SUPPORT PARTS



SHAFT COUPLING KIT - Product Number 6402010

ITEM NO.	PART NUMBER	DESCRIPTION	QTY/ ASSY
1.1	A1641-2	Coupling	1
1.2	33871	Key	1
1.3	12-6-6	Set Screw 3/8-16 x 3/8	2

SHAFT SUPPORT KIT - Product Number 4250310

ITEM NO.	PART NUMBER	DESCRIPTION	QTY/ ASSY
2.1	35-6-16	Bolt 3/8-16 x 1	2
2.2	PA6154	Bearing Flange	2
2.3	PA6153	Bearing	1
2.4	63637-04	Bearing Mounting Plate	1
2.5	17-6C	Lockwasher 3/8	2
2.6	22-6	Nut 3/8-16	2

SHAFTING AND KEYWAY DIMENSIONS

LETTER	DIMENSION	NOTE: These are recommended dimensions. Shafts are supplied by Customer.
D	Diameter 1.246 - 1.248"	
L	2-1/4" Full Depth	
W	0.312 - 0.314"	
H	1.068 - 1.072"	

SHAFTING LENGTHS

END TRUCK TYPE	CAPACITY	RECOMMENDED LENGTH
Series 425 Underhung	3 Ton	Span minus 30"
	5 Ton	Span minus 32-1/4"
	10 Ton	Span minus 34-3/4"
Series 430 Top Running	3 & 5 Ton	Span minus 16-1/2"
	10 Ton	Span minus 17-1/4"

GENERAL CONDITIONS OF WARRANTY

WARRANTIES: The Seller warrants to the original using Buyer thereof that the goods sold under this Agreement are free from defects in workmanship and materials for a period of one year from the date of shipment to the original using Buyer. No other express warranties are given and no affirmation of Seller or Seller's agents, by word or action, shall constitute a warranty. No warranty is made for components and accessories made by others when such items are warranted by their respective manufacturers.

Installation or operation of the equipment in any manner other than as recommended by Seller, shall void the warranty. Any variations in details between the goods furnished herein and those covered in Buyer's specifications are due to standards of manufacture not to be construed as exceptions to the specifications.

DISCLAIMER OF IMPLIED WARRANTIES:

- SELLER MAKES NO WARRANTY OF MERCHANTABILITY IN RESPECT TO THE GOODS SOLD UNDER THIS AGREEMENT.
- This sale is made WITHOUT ANY WARRANTY BY SELLER THAT THE GOODS ARE SUITABLE FOR ANY PARTICULAR PURPOSE.
- Buyer hereby waives all other warranties, guarantees, obligations, liabilities, rights and remedies arising by law or otherwise including any obligation or liability of the Seller arising from tort, and Buyer shall indemnify Seller from any liability, loss, damage, or claim arising from Buyer's tortious use of the goods sold hereby.

REMEDIES:

- Under no conditions shall any goods be returned to Seller without its prior written consent.
- The Buyer's sole and exclusive remedy for breach of any warranty is limited to Seller furnishing at its expense duplicate or repaired parts f.o.b. Seller's plant with installation at Buyer's expense if discovery of a claimed defect occurs during the allowable warranty period, and if Seller's inspection determines a defect exists.
- The quantity of material shown by invoice shall in all cases govern settlement for shortages, unless notice of shortage, appropriately documented, is given to the carrier and the Seller upon delivery by the carrier.
- Claims for errors, deficiencies or imperfections shall be deemed waived by the Buyer unless Seller is notified in writing of the basis of such claims within 10 days after discovery of claimed defect and such discovery occurs within the warranted period.
- Neither Buyer nor user shall be entitled under this Agreement to recover from Seller any incidental or consequential damages of any nature including but not limited to the cost of any labor expended by others in connection with the goods sold hereby by reason of any alleged nonconformity or breach of warranty on the part of the Seller nor costs of material or account thereof, nor any lost profits whether determinable or speculative.



Acco Chain & Lifting Products Division

76 Acco Drive, Box 792, York, PA 17405-0792
717-741-4863 800-967-7333 Fax 717-741-8572