

LOUDEN®

**MONORAIL AND CRANE
SYSTEM PATENTED TRACK**

**SUPERTRACK™ PATENTED TRACK WITH
3.33" OPERATING FLANGE**

LOUDEN® 603.6 SUPERTRACK™ PATENTED TRACK

LOUDEN® 3.33" flange SUPERTRACK™ patented track is the pioneer heavy-duty monorail section. This track is rolled from special analysis billets to exacting tolerances as specified by Acco Babcock, Inc., Material Handling Group. It permits the use of wheels having a wide tread and extra large bearings.

This track provides a beam of exceptional strength for all types of motorized carriers. As the area of the track receiving the trolley is flat and the tread of the wheel is also flat, increased wheel and track life is attained. The design of the flange makes it rigid with minimum deflection.

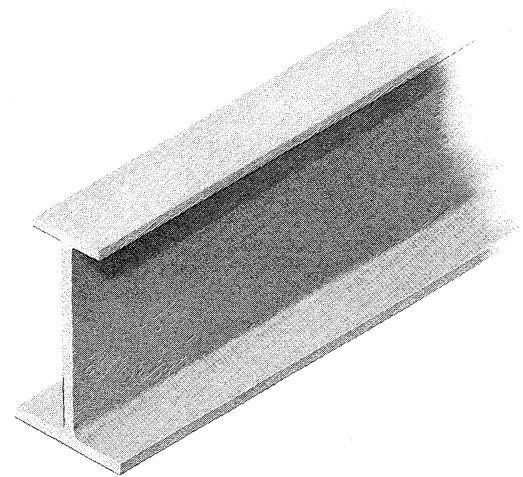
Trolleys for this track are illustrated in Section 403 and switches are illustrated in Section 703. A complete stock of hangers and other fittings is available to make this track easily adapted to the most complicated system.

LOUDEN® SUPERTRACK™ patented track is tailor-made for your requirements. Every section of straight track is cut to exact length, and all curves are bent at the factory in accordance with layout drawings and specifications. Every piece of track is shipped from the factory ready for installation.

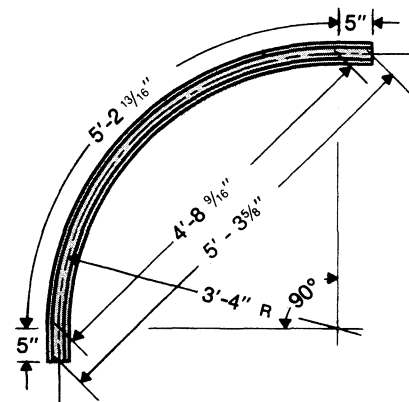
**3.33" FLANGE SUPERTRACK™ PATENTED TRACK
CURVES**

To do away with costly hand bending on the job and to furnish the customer with a smooth precise curve for best trolley operation, all LOUDEN® SUPERTRACK™ patented track curves are furnished complete and ready for installation.

The standard LOUDEN® SUPERTRACK™ patented track curve has a 3'-4" radius with a 5" straight at each end as shown at right. Special curves may be ordered. All special SUPERTRACK™ patented track curves require a minimum 12" of straight track at each end for the bending operation, although it is not required on the finished curve. When special curves are desired, contact your nearest Material Handling Group Representative. See Section 700 for standard switch curves.



**LOUDEN® 603.6 SUPERTRACK™
PATENTED TRACK**



**603.6081 (28-0305)
SUPERTRACK™ PATENTED TRACK CURVE
WT. 73 LBS.**



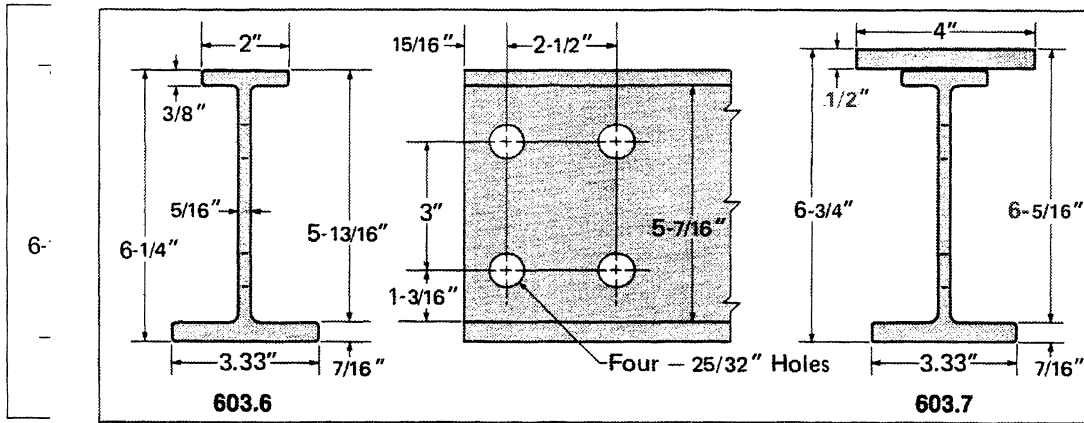
**LOUDEN® MONORAIL AND CRANE SYSTEM PATENTED TRACK
SUPERTRACK™ PATENTED TRACK WITH 3.33" OPERATING FLANGE**

603-2
Issued 9-7-01

Specifications:

Min. Carbon Content..... .55
 Min. Manganese Content..... .60
 Min. Ult. Tensile..... 115,000 psi
 Min. Yield Point..... 63,000 psi
 Min. Brinnell Hardness..... 225
 Top Flange Width..... 2.00"

Bottom Flange Width..... 3.33"
 Depth..... 6.25"
 Weight per Foot..... 14 lbs
 Web Thickness..... 5/16"
 Tread Thickness..... 7/16"
 Max. Lower Flange Loading..... 2,500# per wheel
 5,000# per 2-wheel trolley



MAXIMUM CENTER LOADS - UNBRACED

Limited By Span/450 Deflection
1.25" Maximum Deflection

	SPAN IN FEET																
	4	5	6	7	8	9	10	11	12	13	14	15	16	17	18	19	20
603.6	11399s	9466c	6843c	5010c	3817c	2998c	2409c	1972c	1638c	1377c	1168c	998c	858c				
603.7		12448s	12438s	12174t	10634t	9434t	8471t	7291d	6093d	5157d	4412d	3809d	3313d	2899d	2551d	2254d	1999d

Limited By Span/600 Deflection
1.25" Maximum Deflection

	SPAN IN FEET																
	4	5	6	7	8	9	10	11	12	13	14	15	16	17	18	19	20
603.6	11399s	9466c	6843c	5010c	3817c	2998c	2409c	1972c	1638c	1377c	1168c	998c	858c				
603.7		12448s	12438s	12174t	10433d	8210d	6617d	5434d	4532d	3827d	3266d	2810d	2435d	2122d	1857d	1632d	1437d

NOTES:

- Figures shown are allowable Equivalent Center Loads (ECL's) at the span as if developed by a single two-wheel trolley. Refer to ECL calculations for loads on four, eight and 16 wheel units, in section 1100 (Engineering).
- The ECL's shown are limited by tension of the bottom flange, compression of the top flange, deflection of the beam and shear. These are indicated by the letters t, c, d & s, respectively, in accordance with ANSI MH 27.1 1981.
- The weight of the girder has been considered and need not be deducted in load calculations.
- Maximum permissible Wheel Load on 603 Type SUPERTRACK is 2,500 Lbs. (5,000 Lbs. per 2 Wheel Trolley).



ACCO Material Handling Solutions
 76 Acco Drive, Box 792, York, PA 17405-0792
 717-741-4863, 800-967-7333, FAX 800-715-8897
 E-mail: info@accomhs.com www.accomhs.com

© 2007 FKI Industries Inc.
Printed In USA