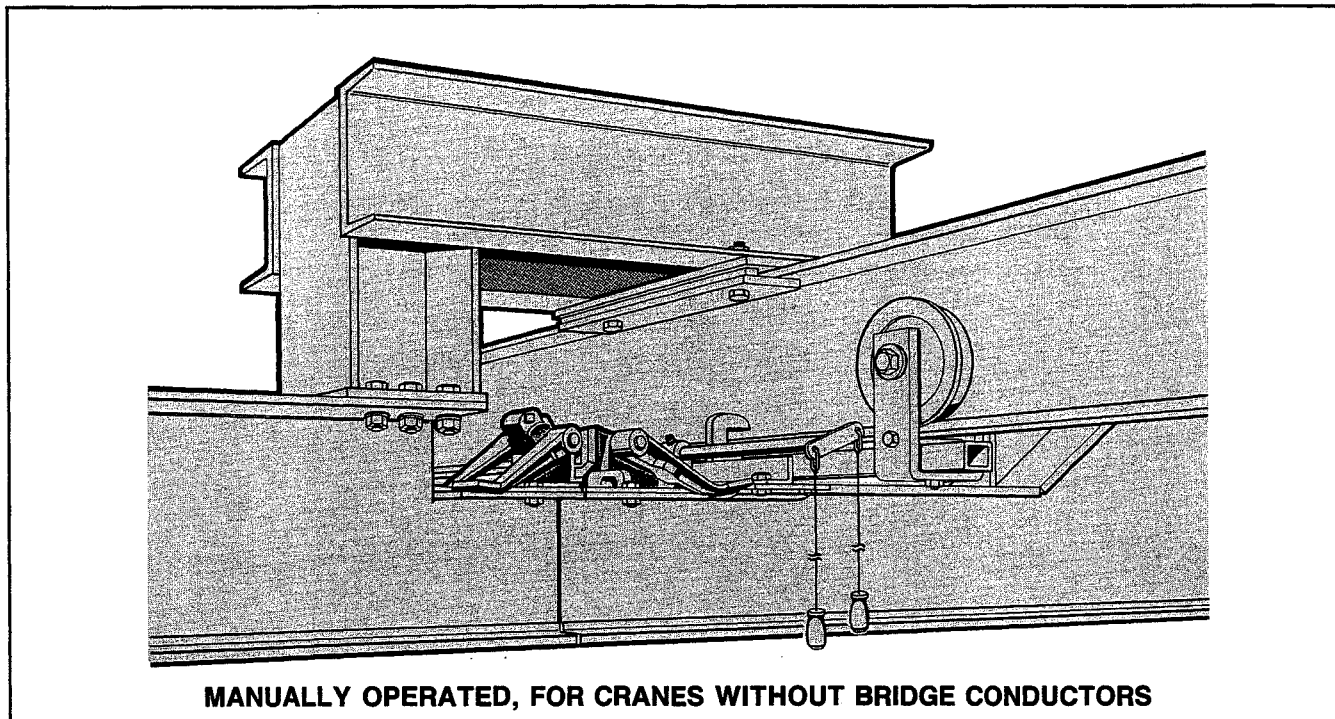




## 551 NON-ELECTRIFIED • 552 NON-ELECTRIFIED CRANE LATCHES



**MANUALLY OPERATED, FOR CRANES WITHOUT BRIDGE CONDUCTORS**

### **FEATURES:**

The baffles on both the latch and block cannot be raised until the bridge and spur are aligned. It is a function of the latch plunger to raise the baffles on the block and at the same time actuate the arm shown protruding above the block which, in turn, moves downward to raise the baffles on the latch.

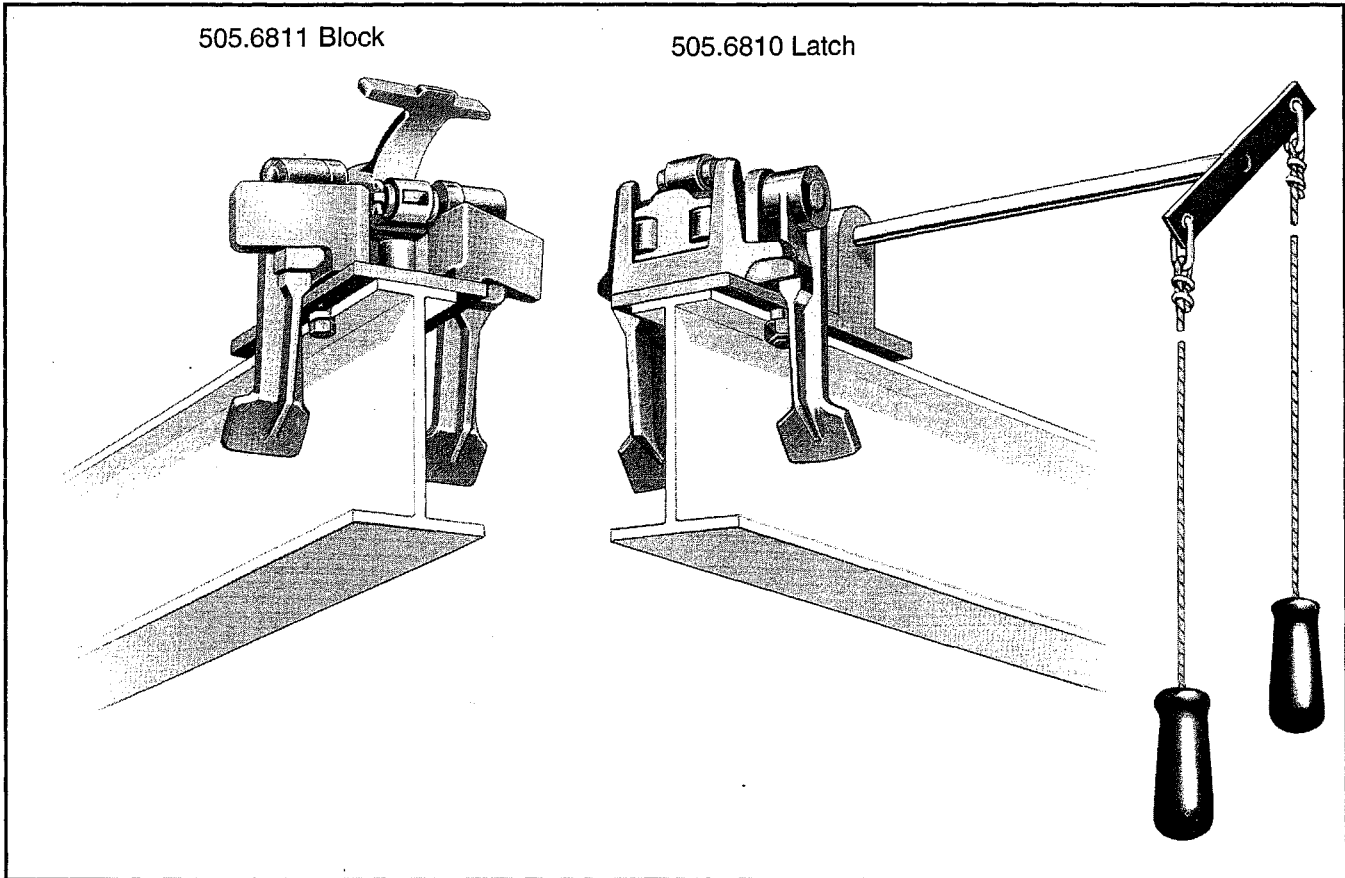
The #505.6810 latch for 3.33" operating flange SUPERTRACK or the #505.5810 latch for 2" operating flange SUPERTRACK, is designed for use with hand propelled non-electrified systems.

The 505.5810/6810 latch assembly is designed specifically for moderate duty.



## **CRANE LATCHES**

### **MANUALLY OPERATED • FOR CRANES WITHOUT BRIDGE CONDUCTORS**



**Cat. No. 505.6811 Latch Block with 3.33" Operating Flange.**

**Cat. No. 505.5811 Latch Block with 2" Operating Flange.**

**OPERATION.** With the operating mechanism in the "unlatched" position, the latch plunger is retracted within the latch housing and the end of the bridge is free to pass the spur track without the plunger striking the block or the baffles being disturbed.

When the operator desires to align and latch with the spur track, he pulls the rope throwing the operating mechanism to the "latching" position so that the latch

**Cat. No. 505.6810 Latch with 3.33" Operating Flange.**

**Cat. No. 505.5810 Latch with 2" Operating Flange.**

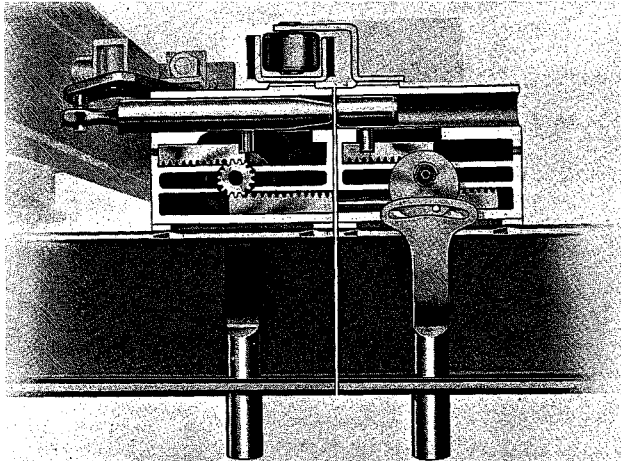
plunger protrudes from the housing, then approaches the spur slowly. If the bridge is moving too fast, the plunger will not register in the block, but will permit the end of the bridge to pass the spur. If the bridge is moving at slow speed, the plunger will register in the block and the latching operation will be completed automatically under spring pressure. This action also raises the baffles on both the latch and block.



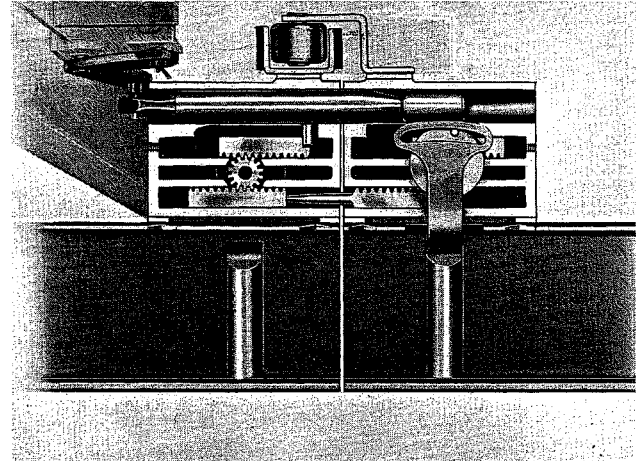


## CRANE LATCHES

**MANUALLY OPERATED • FOR CRANES WITH BRIDGE CONDUCTORS**



**ALIGNED — NOT LATCHED**



**ALIGNED AND LATCHED**

**CATALOG NO. 505.7824 LATCH AND NO. 505.7825 LATCH BLOCK**

### OPERATION:

With the operating mechanism in the unlatched position, the latch is retracted within the latch housing and the end of the bridge is free to pass the spur track without the plunger striking the block or the baffles being disturbed.

When the operator desires to align and latch with the spur track or transfer section, he moves the crane into position and by visual means aligns the crane with the spur track or transfer section. When the operator is satisfied that the two ends are aligned he completes the latching procedure by pulling on the rope actuating the operating mechanism so that the plunger will register in the block completing the latching operation.

When the transfer operation is completed the operator pulls on the rope which disengages the plunger from the latch block, the baffles are lowered and the crane is free to traverse.

