

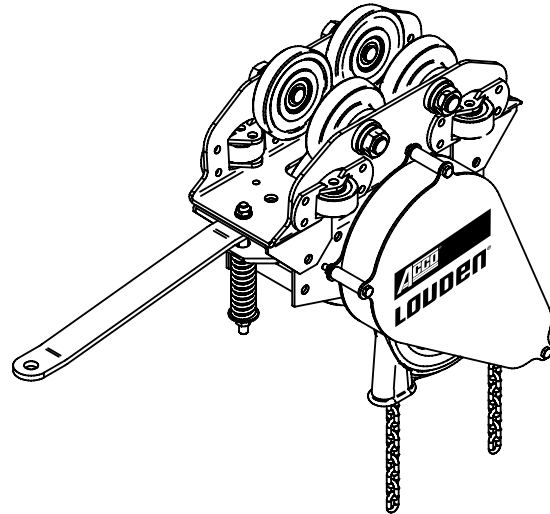
The LOUDEN M8 hand chain manual Tractor Drive (Motoveyor) is designed for light duty operation with a capacity of up to 6,000 pounds.

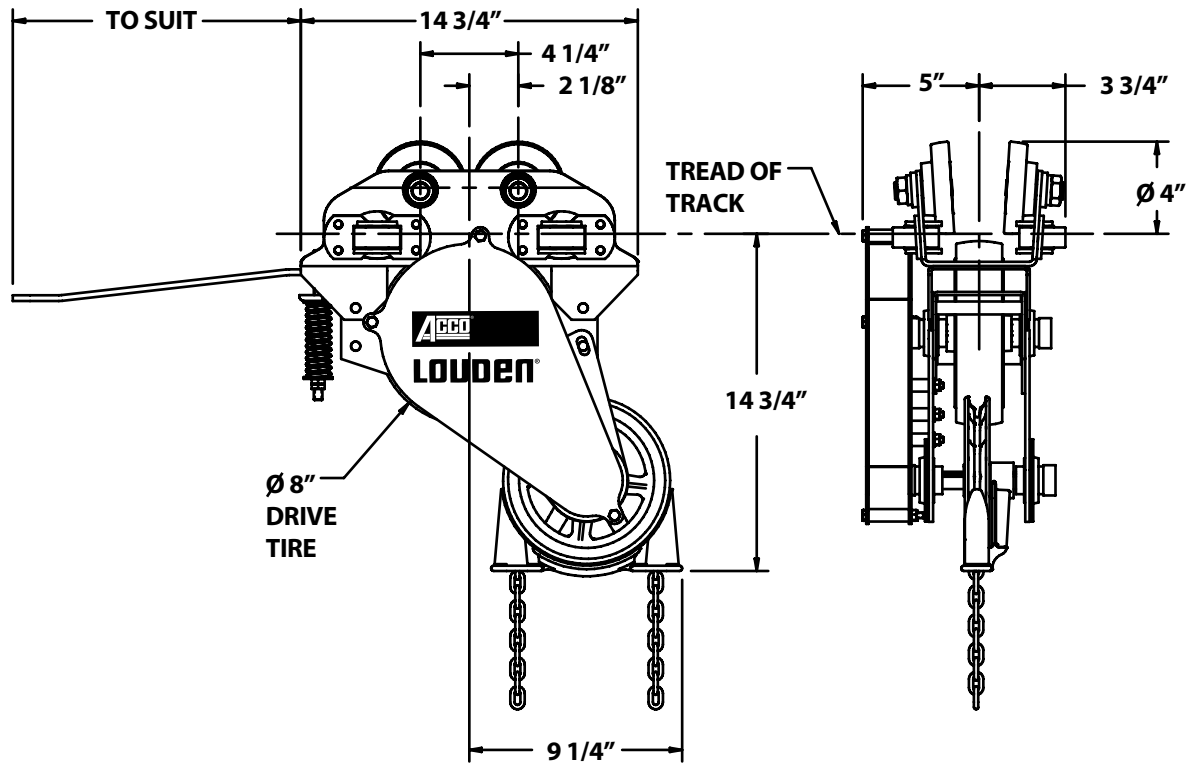
The M8 is equipped with 4" diameter flangeless wheels and side guide rollers. The wheel includes two single row, pre-lubricated and permanently sealed anti-friction bearings with a hardened outer race.

The 8" diameter under-rail drive wheel gives positive action, no-slip traction, regardless of the load. The polyurethane tire is molded to a cast iron hub which is keyed to the drive shaft. The drive shaft is supported by ball bearings on the tractor drive frame. Zinc plated hand chain is standard.

Both the upper and lower frames of the M8 are formed from heavy steel. The lower frame, for mounting the drive wheel and chain assembly, is connected to the top frame in a manner that allows quick and easy adjustment of the drive wheel pressure against the underside of the track.

The M8 hand chain tractor drive is designed to move a load 1 ft. horizontally for every 2 ft. of chain pulled thru the drive unit. This tractor drive is designed to operate on 2", 3.25" or 3.33" flange Louden and Trambeam track. Unit will negotiate electrified SuperTrack and TrojanTrack switches as well as curves with a 29" or larger radius. The tractor drive will also navigate through 505.7824, 505.7825, 505.7830, and 505.7831 latches and latch blocks. Contact the factory to discuss applications not listed.





LOAD	CHAIN PULL (LBS)
500	4
1,000	8
1,500	12
2,000	16
2,500	20
3,000	24
3,500	28
4,000	32
4,500	36
5,000	40
5,500	44
6,000	48

**AVAILABLE OPTIONS:**

Options available for this tractor drive include bronze trolley wheels, quick tire release, aluminum hand chain and epoxy paint.