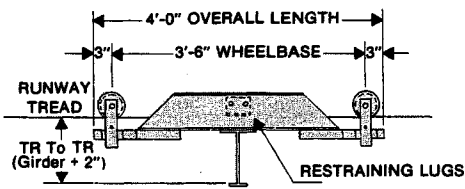
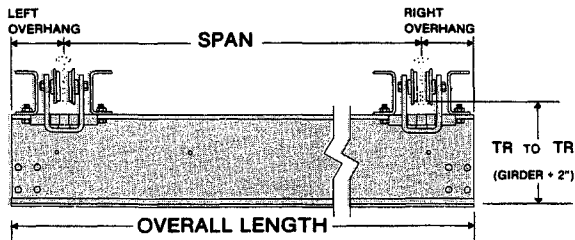
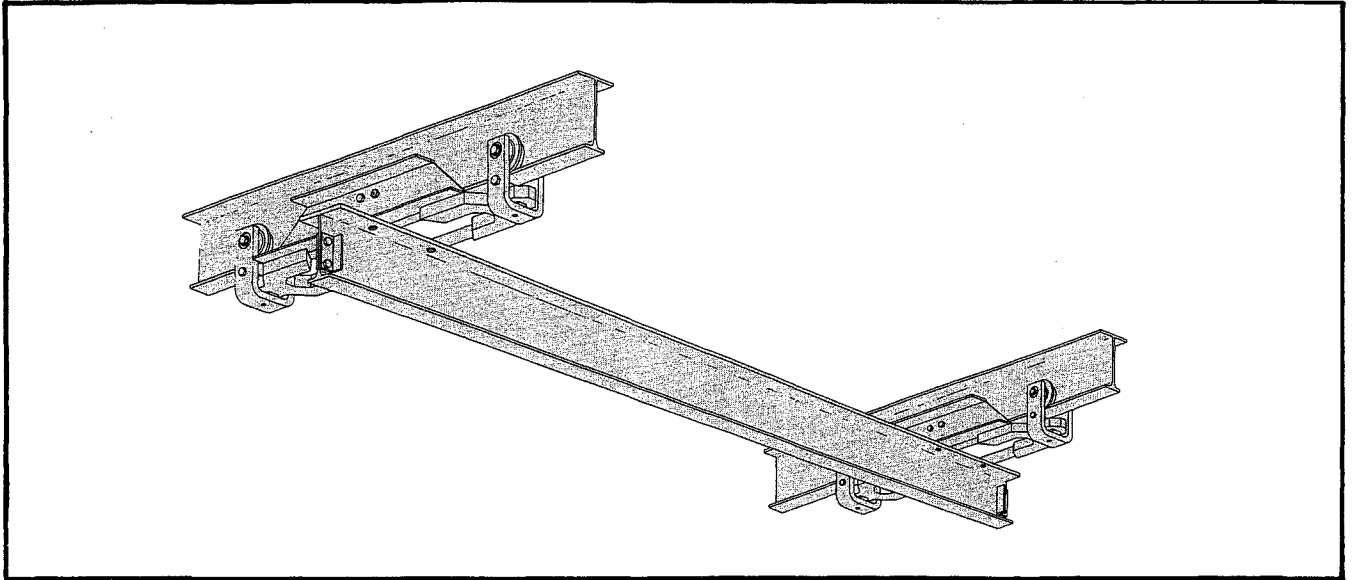




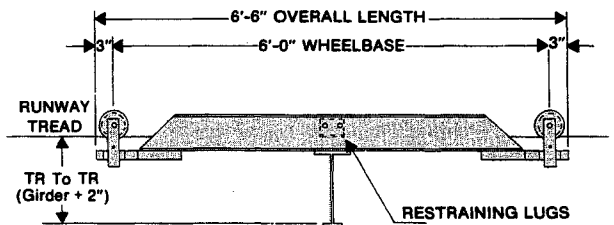
**LOUDEN® HAND PROPELLED CRANES WITH
FULL DEPTH GIRDERS**

552-1
Issued 9-7-01

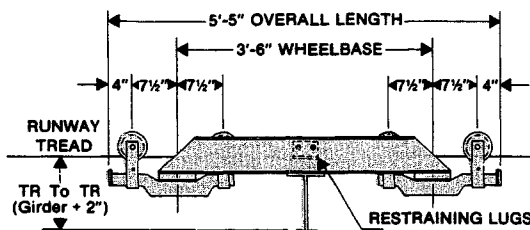
**Hand Propelled, Single Girder, Two-Runway Cranes
To Operate on 2" Flange Runways, for use With Electric, Air or Hand Chain Hoists.**



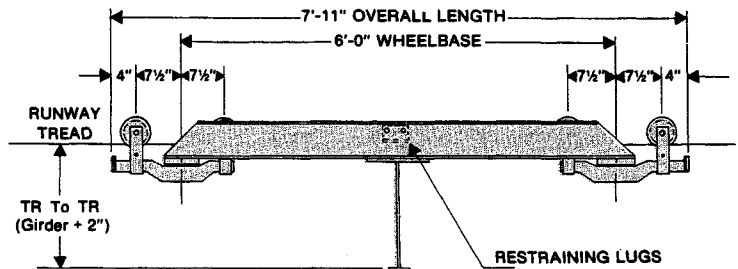
4 Wheel, 3,000 lb. Cap. End Truck, with 3'-6" Wheelbase.



4 Wheel, 3,000 lb. Cap. End Truck, with 6'-0" Wheelbase.



8 Wheel, 6,000 lb. Cap. End Truck, with 3'-6" Wheelbase.



8 Wheel, 6,000 lb. Cap. End Truck, with 6'-0" Wheelbase.



**LOUDEN® HAND PROPELLED CRANES WITH
FULL DEPTH GIRDERS**

552-2
Issued 9-7-01

**Hand Propelled, Single Girder, Two-Runway Cranes
To Operate on 2" Flange Runways, for use with Electric, Air or Hand Chain Hoists.**

Max Span Ft.	Bridge Girder Required	Crane Weight (Lbs.)	Overhang				Crane Trucks			Wheel Load Per Pair (2)
			In. Std.	In. Min.	In. Max.	505.7824 Latch	No. Whls.	Capacity Maximum	Wheel Base	
Catalog No. 552.1002			1000 Lbs. Capacity				1550 Lbs. Design Load (1)			
8	604.924	551	12	7	18	15	4	3000	3'-6"	914
10	604.924	599	12	7	18	15	4	3000	3'-6"	926
12	604.924	647	12	7	18	15	4	3000	3'-6"	938
14	604.924	695	12	7	18	15	4	3000	3'-6"	950
16	604.924	743	12	7	18	15	4	3000	3'-6"	962
18	604.924	791	12	7	18	15	4	3000	3'-6"	974
20	604.924	839	12	7	18	15	4	3000	3'-6"	986
22	604.924	887	12	7	18	15	4	3000	3'-6"	998
24	604.924	935	12	7	18	15	4	3000	3'-6"	1010
26	604.1231	1359	12	7	18	15	4	3000	6'-0"	1116
28	604.1231	1421	12	7	18	15	4	3000	6'-0"	1131
30	604.1231	1483	12	7	18	15	4	3000	6'-0"	1147
32	604.1435	1682	12	7	18	15	4	3000	6'-0"	1196
34	604.1435	1752	12	7	18	15	4	3000	6'-0"	1214
36	604.1435	1822	12	7	18	15	4	3000	6'-0"	1231
38	604.1538	2009	12	7	18	15	4	3000	6'-0"	1278
40	604.1538	2085	12	7	18	15	4	3000	6'-0"	1297
42	604.1846	2513	12	7	18	15	4	3000	6'-0"	1404
44	604.1846	2605	12	7	18	15	4	3000	6'-0"	1427
46	604.1846	2697	12	7	18	15	4	3000	6'-0"	1450
48	604.1846	3033	12	8½	18	17	8	6000	6'-0"	767
50	604.2153	3489	12	8½	18	17	8	6000	6'-0"	824

NOTES:

1. Design Load = Live Load, plus 15% live load for impact, plus 400 lbs. for hoist and trolley.
2. Calculated for this crane with specified design load, but without added peripheral equipment.
3. Maximum permissible wheel load on 603 Super-track and 604 type Supertrack. Supertrack Girder is 2,500 lbs. (5,000 Lbs. per two-wheel trolley). For 605 Trojan Track Girder the limitation is 3,750 Lbs.

(7500 Lbs. per two-wheel trolley) when transferring through 505.7830 latch; 5,000 Lbs. (10,000 Lbs. per two-wheel trolley) when captive on bridge, or when used on Super-Trojan Track Runways. (Super-Trojan Track requires .75 in. min. thickness of top flange, .4375 in. min. thickness of web, and splices must be welded rather than bolted.)

WARNING: Equipment described herein is not designed for and should not be used for lifting, supporting, or transporting humans. Use of the equipment for this purpose can result in serious bodily injury and/or property damage.



ACCO Material Handling Solutions
76 Acco Drive, Box 792, York, PA 17405-0792
717-741-4863, 800-967-7333, FAX 800-715-8897
E-mail: info@accomhs.com www.accomhs.com

© 2007 FKI Industries Inc.
Printed In USA



**LOUDEN® HAND PROPELLED CRANES WITH
FULL DEPTH GIRDERS**

552-3
Issued 9-7-01

**Hand Propelled, Single Girder, Two-Runway Cranes
To Operate on 2" Flange Runways, for use with Electric, Air or Hand Chain Hoists.**

Max Span Ft.	Bridge Girder Required	Crane Weight (Lbs.)	Overhang				Crane Trucks			Wheel Load Per Pair (2)
			In. Std.	In. Min.	In. Max.	505.7824 Latch	No. Whls.	Capacity Maximum	Wheel Base	
Catalog No. 552.2002			2000 Lbs. Capacity				3590 Lbs. Design Load (1)			
8	604.924	782	12	8½	18	17	8	6000	3'-6"	996
10	604.924	830	12	8½	18	17	8	6000	3'-6"	1001
12	604.924	878	12	8½	18	17	8	6000	3'-6"	1008
14	604.924	926	12	8½	18	17	8	6000	3'-6"	1013
16	604.924	974	12	8½	18	17	8	6000	3'-6"	1020
18	604.924	1022	12	8½	18	17	8	6000	3'-6"	1025
20	604.924	1070	12	8½	18	17	8	6000	3'-6"	1032
22	604.924	1118	12	8½	18	17	8	6000	3'-6"	1037
24	604.1231	1348	12	8½	18	17	8	6000	3'-6"	1067
26	604.1231	1603	12	8½	18	17	8	6000	6'-0"	1098
28	604.1231	1665	12	8½	18	17	8	6000	6'-0"	1106
30	604.1231	1727	12	8½	18	17	8	6000	6'-0"	1114
32	604.1435	1926	12	8½	18	17	8	6000	6'-0"	1139
34	604.1435	1996	12	8½	18	17	8	6000	6'-0"	1148
36	604.1435	2066	12	8½	18	17	8	6000	6'-0"	1157
38	604.1538	2253	12	8½	18	17	8	6000	6'-0"	1180
40	604.1538	2329	12	8½	18	17	8	6000	6'-0"	1189
42	604.1846	2757	12	8½	18	17	8	6000	6'-0"	1243
44	604.1846	2849	12	8½	18	17	8	6000	6'-0"	1254
46	604.1846	2941	12	8½	18	17	8	6000	6'-0"	1266
48	604.1846	3033	12	8½	18	17	8	6000	6'-0"	1277
50	604.2153	3489	12	8½	18	17	8	6000	6'-0"	1334

NOTES:

1. Design Load = Live Load, plus 15% live load for impact, plus 1290 lbs. for hoist and trolley.
2. Calculated for this crane with specified design load, but without added peripheral equipment.
3. Maximum permissible wheel load on 603 Super-track and 604 type Supertrack. Supertrack Girder is 2,500 lbs. (5,000 Lbs. per two-wheel trolley). For 605 Trojan Track Girder the limitation is 3,750 Lbs.

(7500 Lbs. per two-wheel trolley) when transferring through 505.7830 latch; 5,000 Lbs. (10,000 Lbs. per two-wheel trolley) when captive on bridge, or when used on Super-Trojan Track Runways. (Super-Trojan Track requires .75 in. min. thickness of top flange, .4375 in. min. thickness of web, and splices must be welded rather than bolted.)

WARNING: Equipment described herein is not designed for and should not be used for lifting, supporting, or transporting humans. Use of the equipment for this purpose can result in serious bodily injury and/or property damage.



**LOUDEN® HAND PROPELLED CRANES WITH
FULL DEPTH GIRDERS**

552-4
Issued 9-7-01

**Hand Propelled, Single Girder, Two-Runway Cranes
To Operate on 2" Flange Runways, for use with Electric, Air or Hand Chain Hoists.**

Max Span Ft.	Bridge Girder Required	Crane Weight (Lbs.)	Overhang				Crane Trucks			Wheel Load Per Pair (2)
			In. Std.	In. Min.	In. Max.	505.7824 Latch	No. Whls.	Capacity Maximum	Wheel Base	
Catalog No. 552.3002			3000 Lbs. Capacity				4820 Lbs. Design Load (1)			
8	604.924	782	12	8½	18	17	8	6000	3'-6"	1303
10	604.924	830	12	8½	18	17	8	6000	3'-6"	1309
12	604.924	878	12	8½	18	17	8	6000	3'-6"	1315
14	604.924	926	12	8½	18	17	8	6000	3'-6"	1321
16	604.924	974	12	8½	18	17	8	6000	3'-6"	1327
18	604.924	1022	12	8½	18	17	8	6000	3'-6"	1333
20	604.924	1070	12	8½	18	17	8	6000	3'-6"	1339
22	604.1231	1286	12	8½	18	17	8	6000	3'-6"	1366
24	604.1231	1348	12	8½	18	17	8	6000	3'-6"	1374
26	604.1231	1603	12	8½	18	17	8	6000	6'-0"	1406
28	604.1435	1665	12	8½	18	17	8	6000	6'-0"	1414
30	604.1435	1856	12	8½	18	17	8	6000	6'-0"	1437
32	604.1435	1926	12	8½	18	17	8	6000	6'-0"	1446
34	604.1538	2101	12	8½	18	17	8	6000	6'-0"	1468
36	604.1538	2177	12	8½	18	17	8	6000	6'-0"	1478

NOTES:

1. Design Load = Live Load, plus 15% live load for impact, plus 1370 lbs. for hoist and trolley.
2. Calculated for this crane with specified design load, but without added peripheral equipment.
3. Maximum permissible wheel load on 603 Super-track and 604 type Supertrack. Supertrack Girder is 2,500 lbs. (5,000 Lbs. per two-wheel trolley). For 605 Trojan Track Girder the limitation is 3,750 Lbs.

(7500 Lbs. per two-wheel trolley) when transferring through 505.7830 latch; 5,000 Lbs. (10,000 Lbs. per two-wheel trolley) when captive on bridge, or when used on Super-Trojan Track Runways. (Super-Trojan Track requires .75 in. min. thickness of top flange, .4375 in. min. thickness of web, and splices must be welded rather than bolted.)

WARNING: Equipment described herein is not designed for and should not be used for lifting, supporting, or transporting humans. Use of the equipment for this purpose can result in serious bodily injury and/or property damage.



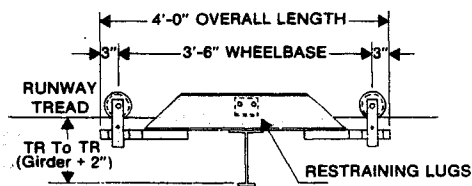
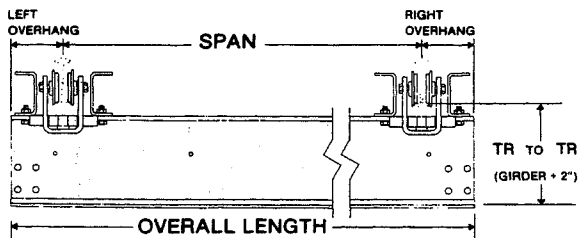
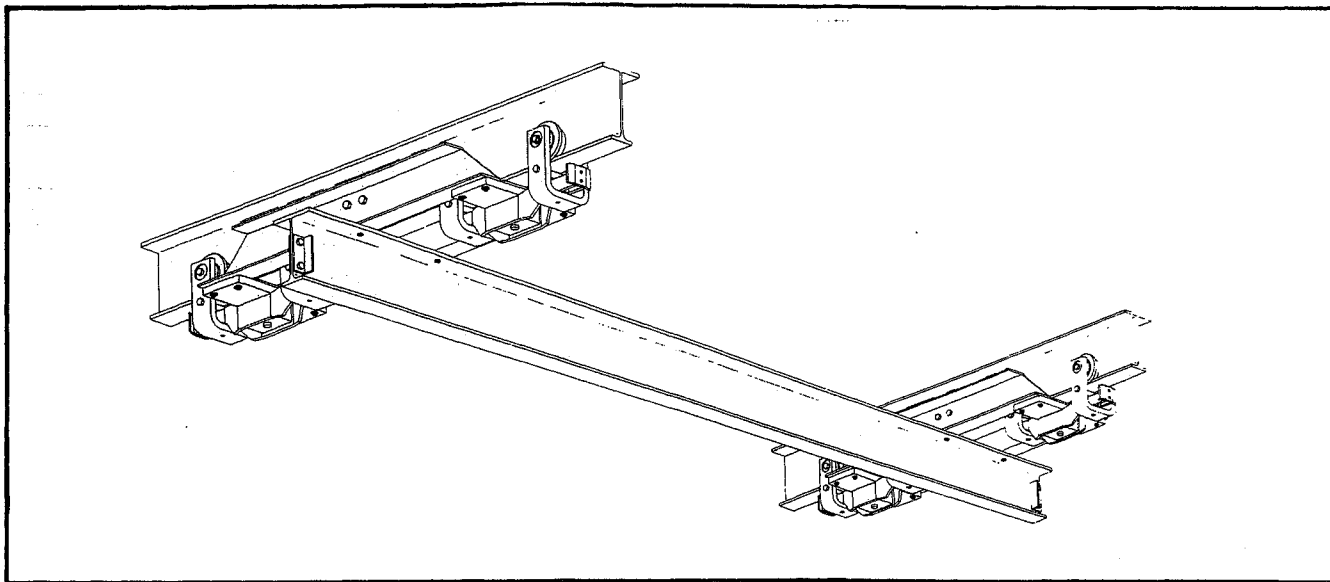
ACCO Material Handling Solutions
76 Acco Drive, Box 792, York, PA 17405-0792
717-741-4863, 800-967-7333, FAX 800-715-8897
E-mail: info@accomhs.com www.accomhs.com



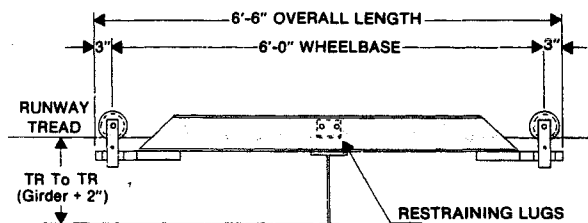
Louder® HAND PROPELLED CRANES WITH FULL DEPTH GIRDERS

552-5
Issued 9-7-01

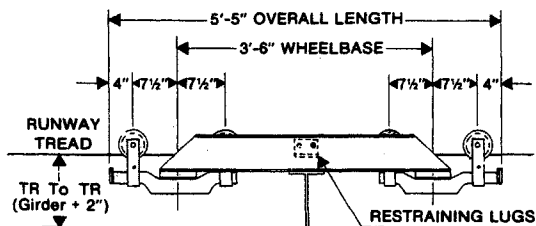
**Hand Propelled, Single Girder, Two-Runway Cranes
To Operate on 3.33" Flange Runways, for use With Electric, Air or Hand Chain Hoists.**



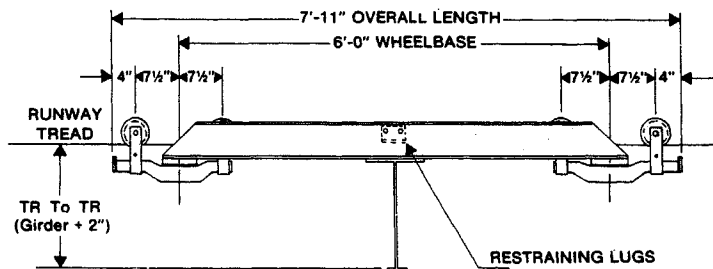
4 Wheel, 3,000 lb. or 5,000 lb. Cap. End Truck, with 3'-6" Wheelbase.



4 Wheel, 5,000 lb. Cap. End Truck, with 6'-0" Wheelbase.



8 Wheel, 10,000 lb. Cap. End Truck, with 3'-6" Wheelbase.



8 Wheel, 10,000 lb. Cap. End Truck, with 6'-0" Wheelbase.



**LOUDEN® HAND PROPELLED CRANES WITH
FULL DEPTH GIRDERS**

552-6
Issued 9-7-01

**Hand Propelled, Single Girder, Two-Runway Cranes
To Operate on 3.33" Flange Runways, for use with Electric, Air or Hand Chain Hoists.**

Max Span Ft.	Bridge Girder Required	Crane Weight (Lbs.)	Overhang				Crane Trucks			Wheel Load Per Pair (2)
			In. Std.	In. Min.	In. Max.	505.7824 Latch	No. Whls.	Capacity Maximum	Wheel Base	
Catalog No. 552.1003			1000 Lbs. Capacity				1550 Lbs. Design Load (1)			
8	604.924	529	12	7	18	15	4	3000	3'-6"	908
10	604.924	573	12	7	18	15	4	3000	3'-6"	919
12	604.924	617	12	7	18	15	4	3000	3'-6"	930
14	604.924	661	12	7	18	15	4	3000	3'-6"	941
16	604.924	705	12	7	18	15	4	3000	3'-6"	952
18	604.924	749	12	7	18	15	4	3000	3'-6"	963
20	604.924	793	12	7	18	15	4	3000	3'-6"	974
22	604.924	837	12	7	18	15	4	3000	3'-6"	985
24	604.924	881	12	7	18	15	4	3000	3'-6"	996
26	604.1231	1301	12	7	18	15	4	3000	6'-0"	1101
28	604.1231	1359	12	7	18	15	4	3000	6'-0"	1115
30	604.1231	1417	12	7	18	15	4	3000	6'-0"	1130
32	604.1435	1577	12	7	18	15	4	3000	6'-0"	1170
34	604.1435	1641	12	7	18	15	4	3000	6'-0"	1186
36	604.1435	1705	12	7	18	15	4	3000	6'-0"	1202
38	604.1538	2009	12	7	18	15	4	3000	6'-0"	1278
40	604.1538	2085	12	7	18	15	4	3000	6'-0"	1297
42	604.1846	2513	12	7	18	15	4	3000	6'-0"	1404
44	604.1846	2605	12	7	18	15	4	3000	6'-0"	1427
46	604.1846	2697	12	7	18	15	4	3000	6'-0"	1450
48	604.1846	2855	12	7	18	15	4	5000	6'-0"	1489
50	604.2153	3311	12	7	18	15	4	5000	6'-0"	1603

NOTES:

1. Design Load = Live Load, plus 15% live load for impact, plus 400 lbs. for hoist and trolley.
2. Calculated for this crane with specified design load, but without added peripheral equipment.
3. Maximum permissible wheel load on 603 Super-track and 604 type Supertrack. Supertrack Girder is 2,500 lbs. (5,000 Lbs. per two-wheel trolley). For 605 Trojan Track Girder the limitation is 3,750 Lbs.

(7500 Lbs. per two-wheel trolley) when transferring through 505.7830 latch; 5,000 Lbs. (10,000 Lbs. per two-wheel trolley) when captive on bridge, or when used on Super-Trojan Track Runways. (Super-Trojan Track requires .75 in. min. thickness of top flange, .4375 in. min. thickness of web, and splices must be welded rather than bolted.)

WARNING: Equipment described herein is not designed for and should not be used for lifting, supporting, or transporting humans. Use of the equipment for this purpose can result in serious bodily injury and/or property damage.



ACCO Material Handling Solutions
76 Acco Drive, Box 792, York, PA 17405-0792
717-741-4863, 800-967-7333, FAX 800-715-8897
E-mail: info@accomhs.com www.accomhs.com



**LOUDEN® HAND PROPELLED CRANES WITH
FULL DEPTH GIRDERS**

552-7
Issued 9-7-01

**Hand Propelled, Single Girder, Two-Runway Cranes
To Operate on 3.33" Flange Runways, for use with Electric, Air or Hand Chain Hoists.**

Max Span Ft.	Bridge Girder Required	Crane Weight (Lbs.)	Overhang				Crane Trucks			Wheel Load Per Pair (2)
			In. Std.	In. Min.	In. Max.	505.7824 Latch	No. Whls.	Capacity Maximum	Wheel Base	
Catalog No. 552.2003			2000 Lbs. Capacity				3590 Lbs. Design Load (1)			
8	604.924	617	12	7	18	15	4	5000	3'-6"	1950
10	604.924	665	12	7	18	15	4	5000	3'-6"	1962
12	604.924	713	12	7	18	15	4	5000	3'-6"	1974
14	604.924	761	12	7	18	15	4	5000	3'-6"	1986
16	604.924	809	12	7	18	15	4	5000	3'-6"	1998
18	604.924	857	12	7	18	15	4	5000	3'-6"	2010
20	604.924	905	12	7	18	15	4	5000	3'-6"	2022
22	604.924	953	12	7	18	15	4	5000	3'-6"	2034
24	604.1231	1183	12	7	18	15	4	5000	3'-6"	2092
26	604.1231	1425	12	7	18	15	4	5000	6'-0"	2152
28	604.1231	1487	12	7	18	15	4	5000	6'-0"	2168
30	604.1231	1549	12	7	18	15	4	5000	6'-0"	2183
32	604.1435	1748	12	7	18	15	4	5000	6'-0"	2232
34	604.1435	1818	12	7	18	15	4	5000	6'-0"	2250
36	604.1435	1888	12	7	18	15	4	5000	6'-0"	2267
38	604.1538	2075	12	7	18	15	4	5000	6'-0"	2314
40	604.1538	2151	12	7	18	15	4	5000	6'-0"	2333
42	604.1846	2579	12	7	18	15	4	5000	6'-0"	2440
44	604.1846	3003	12	8½	18	17	8	10000	6'-0"	1273
46	604.1846	3095	12	8½	18	17	8	10000	6'-0"	1285
48	604.1846	3187	12	8½	18	17	8	10000	6'-0"	1296
50	604.2153	3643	12	8½	18	17	8	10000	6'-0"	1353

NOTES:

1. Design Load = Live Load, plus 15% live load for impact, plus 1290 lbs. for hoist and trolley.
2. Calculated for this crane with specified design load, but without added peripheral equipment.
3. Maximum permissible wheel load on 603 Super-track and 604 type Supertrack. Supertrack Girder is 2,500 lbs. (5,000 Lbs. per two-wheel trolley). For 605 Trojan Track Girder the limitation is 3,750 Lbs.

(7500 Lbs. per two-wheel trolley) when transferring through 505.7830 latch; 5,000 Lbs. (10,000 Lbs. per two-wheel trolley) when captive on bridge, or when used on Super-Trojan Track Runways. (Super-Trojan Track requires .75 in. min. thickness of top flange, .4375 in. min. thickness of web, and splices must be welded rather than bolted.)

WARNING: Equipment described herein is not designed for and should not be used for lifting, supporting, or transporting humans. Use of the equipment for this purpose can result in serious bodily injury and/or property damage.



**LOUDEN® HAND PROPELLED CRANES WITH
FULL DEPTH GIRDERS**

552-8
Issued 9-7-01

**Hand Propelled, Single Girder, Two-Runway Cranes
To Operate on 3.33" Flange Runways, for use with Electric, Air or Hand Chain Hoists.**

Max Span Ft.	Bridge Girder Required	Crane Weight (Lbs.)	Overhang				Crane Trucks			Wheel Load Per Pair (2)
			In. Std.	In. Min.	In. Max.	505.7824 Latch	No. Whls.	Capacity Maximum	Wheel Base	
Catalog No. 552.4003			4000 Lbs. Capacity				6600 Lbs. Design Load (1)			
8	604.924	804	12	8½	18	17	8	10000	3'-6"	1751
10	604.924	852	12	8½	18	17	8	10000	3'-6"	1757
12	604.924	900	12	8½	18	17	8	10000	3'-6"	1763
14	604.924	948	12	8½	18	17	8	10000	3'-6"	1769
16	604.924	996	12	8½	18	17	8	10000	3'-6"	1775
18	604.1231	1184	12	8½	18	17	8	10000	3'-6"	1798
20	604.1231	1246	12	8½	18	17	8	10000	3'-6"	1806
22	604.1231	1308	12	8½	18	17	8	10000	3'-6"	1814
24	604.1231	1370	12	8½	18	17	8	10000	3'-6"	1822
26	604.1435	1870	12	8½	18	17	8	10000	6'-0"	1884
28	604.1435	1940	12	8½	18	17	8	10000	6'-0"	1893
30	604.1538	2103	12	8½	18	17	8	10000	6'-0"	1913
32	604.1538	2179	12	8½	18	17	8	10000	6'-0"	1923
34	604.1846	2543	12	8½	18	17	8	10000	6'-0"	1968
36	604.1846	2635	12	8½	18	17	8	10000	6'-0"	1980
38	604.1846	2727	12	8½	18	17	8	10000	6'-0"	1991
40	604.2153	3113	12	8½	18	17	8	10000	6'-0"	2040
42	604.2153	3219	12	8½	18	17	8	10000	6'-0"	2053
44	604.2153	3325	12	8½	18	17	8	10000	6'-0"	2066
46	604.2153	3431	12	8½	18	17	8	10000	6'-0"	2079

NOTES:

1. Design Load = Live Load, plus 15% live load for impact, plus 2000 lbs. for hoist and trolley.
2. Calculated for this crane with specified design load, but without added peripheral equipment.
3. Maximum permissible wheel load on 603 Super-track and 604 type Supertrack. Supertrack Girder is 2,500 lbs. (5,000 Lbs. per two-wheel trolley). For 605 Trojan Track Girder the limitation is 3,750 Lbs.

(7500 Lbs. per two-wheel trolley) when transferring through 505.7830 latch; 5,000 Lbs. (10,000 Lbs. per two-wheel trolley) when captive on bridge, or when used on Super-Trojan Track Runways. (Super-Trojan Track requires .75 in. min. thickness of top flange, .4375 in. min. thickness of web, and splices must be welded rather than bolted.)

WARNING: Equipment described herein is not designed for and should not be used for lifting, supporting, or transporting humans. Use of the equipment for this purpose can result in serious bodily injury and/or property damage.



ACCO Material Handling Solutions
76 Acco Drive, Box 792, York, PA 17405-0792
717-741-4863, 800-967-7333, FAX 800-715-8897
E-mail: info@accomhs.com www.accomhs.com

© 2007 FKI Industries Inc.
Printed In USA



**LOUDEN® HAND PROPELLED CRANES WITH
FULL DEPTH GIRDERS**

552-9
Issued 9-7-01

**Hand Propelled, Single Girder, Two-Runway Cranes
To Operate on 3.33" Flange Runways, for use with Electric, Air or Hand Chain Hoists.**

Max Span Ft.	Bridge Girder Required	Crane Weight (Lbs.)	Overhang				Crane Trucks			Wheel Load Per Pair (2)
			In. Std.	In. Min.	In. Max.	505.7824 Latch	No. Whls.	Capacity Maximum	Wheel Base	
Catalog No. 552.6003			6000 Lbs. Capacity				8900 Lbs. Design Load (1)			
8	604.924	804	12	8½	18	17	8	10000	3'-6"	2326
10	604.924	852	12	8½	18	17	8	10000	3'-6"	2332
12	604.924	900	12	8½	18	17	8	10000	3'-6"	2338
14	604.924	948	12	8½	18	17	8	10000	3'-6"	2344
16	604.1231	1122	12	8½	18	17	8	10000	3'-6"	2366
18	604.1231	1184	12	8½	18	17	8	10000	3'-6"	2373
20	604.1231	1246	12	8½	18	17	8	10000	3'-6"	2381
22	604.1435	1405	12	8½	18	17	8	10000	3'-6"	2401
24	604.1435	1475	12	8½	18	17	8	10000	3'-6"	2410
26	604.1538	1951	12	8½	18	17	8	10000	6'-0"	2469
28	604.1538	2027	12	8½	18	17	8	10000	6'-0"	2478

NOTES:

1. Design Load = Live Load, plus 15% live load for impact, plus 2000 lbs. for hoist and trolley.
2. Calculated for this crane with specified design load, but without added peripheral equipment.
3. Maximum permissible wheel load on 603 Super-track and 604 type Supertrack. Supertrack Girder is 2,500 lbs. (5,000 Lbs. per two-wheel trolley). For 605 Trojan Track Girder the limitation is 3,750 Lbs.

(7500 Lbs. per two-wheel trolley) when transferring through 505.7830 latch; 5,000 Lbs. (10,000 Lbs. per two-wheel trolley) when captive on bridge, or when used on Super-Trojan Track Runways. (Super-Trojan Track requires .75 in. min. thickness of top flange, .4375 in. min. thickness of web, and splices must be welded rather than bolted.)

WARNING: Equipment described herein is not designed for and should not be used for lifting, supporting, or transporting humans. Use of the equipment for this purpose can result in serious bodily injury and/or property damage.



ACCO Material Handling Solutions
76 Acco Drive, Box 792, York, PA 17405-0792
717-741-4863, 800-967-7333, FAX 800-715-8897
E-mail: info@accomhs.com www.accomhs.com

© 2007 FKI Industries Inc.
Printed In USA