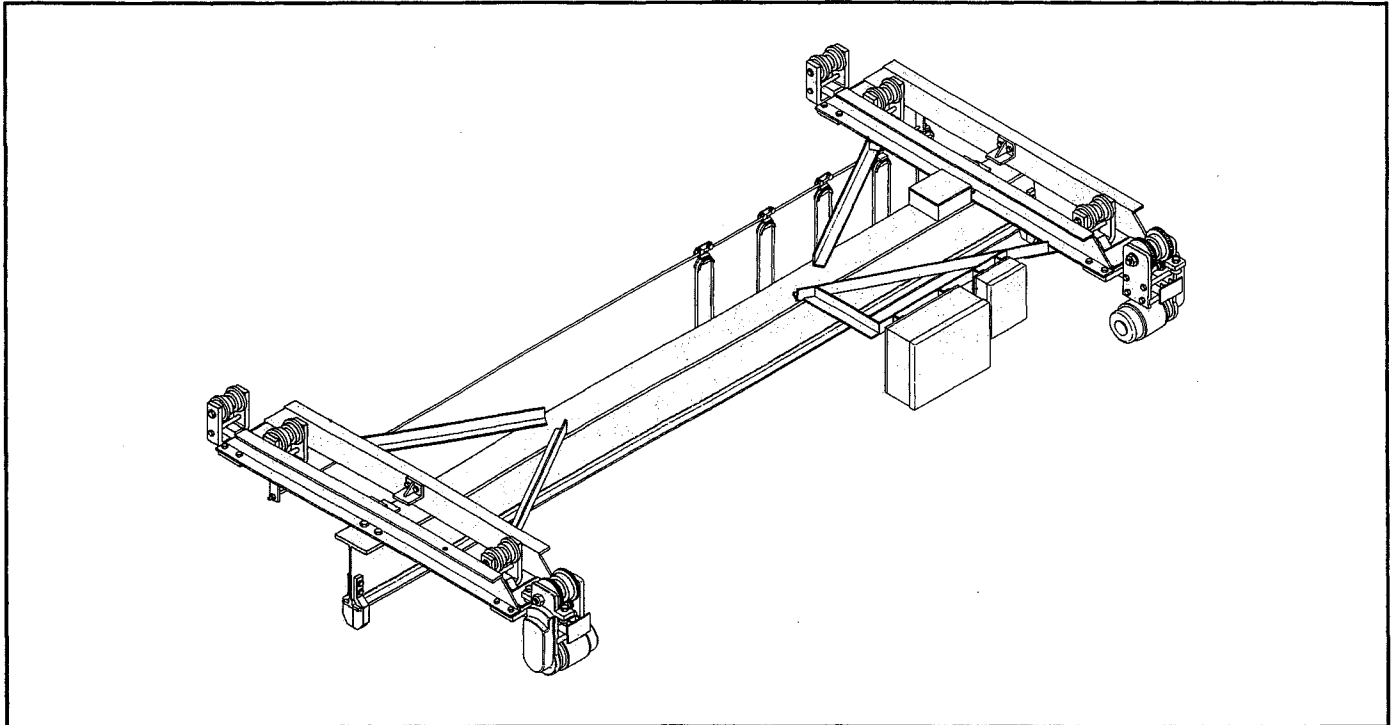




**Dual Motor Drive, Single Girder, Two-Runway Cranes To Operate on
604 and 605 Girder Track, 3.33" Operating Flange Runways, For Use With Electric, Air or Hand Chain Hoists**



The Louden Series 585 steel wheel dual drive crane is offered in capacities of 1 through 5 tons, with spans to 50 feet. Standard bridge speeds are 75 and 125 F.P.M., single speed. Optional travel speeds (single speed) are 50, 100, 150 F.P.M. Also available in two speed and variable speed.

All speeds will have adjustable torque and speed ramps through the use of the Acco Acceleration Control Module, a solid state device providing smooth bridge motion and excellent load control.

Standard crane motors are T.E.N.V., 30 minute, with Class F insulation, 55 degree rise over 60 degree ambient. All crane motors will have an AC disc brake as standard.

Available current characteristics are 460/230 volts, 3 phase, 60 Hertz, with 115 volt control circuit.

The gear reducer utilizes spur gears cut from solid blanks to AGMA specifications, and heat treated to achieve C-60 minimum hardness – Rockwell. All gears shall be fully enclosed in an oil tight housing and splash lubricated, except for the final gear reduction at the driving wheel.

The driving wheels are 4½" in diameter at the tread and all idler trolleys are 4½" tread diameter. All wheels are drop forged and shall be a minimum of 425 Brinnel hardness. Bearings shall be double row ball or tapered roller bearings.

Standard electrical equipment includes NEMA type 12 enclosure, a mainline magnetic contactor, manually operated fused mainline disconnect switch with lock out provision, branch circuit fuses, single speed magnetic reversing contactor, transformer with fused secondary, and flat wire festoon tagline bridge electrification. Festooning will consist of four power conductors and eight control conductors.

Each crane is custom designed to fit the structure from which it is to be supported. It is designed to meet or exceed the standards of the Monorail Manufacturers Association and ANSI specification #MH27.1-1996.

The 585 series crane is designed for Class C moderate service (as defined by the above ANSI standard).

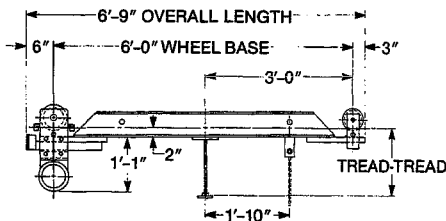
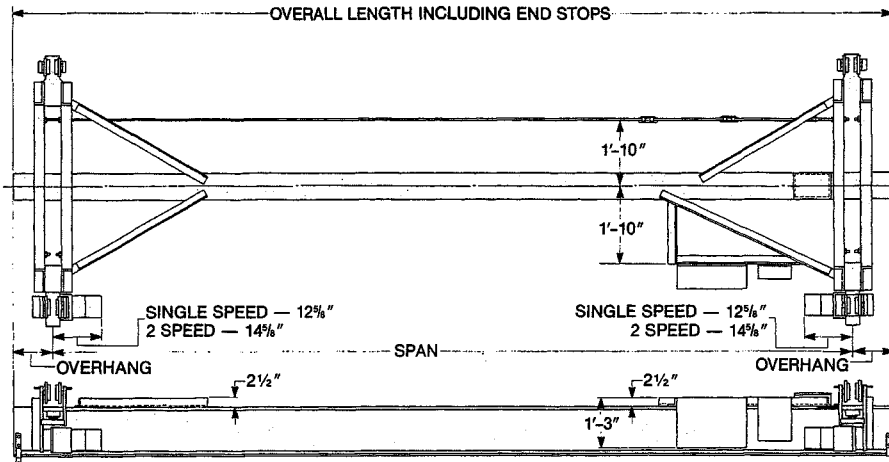
The crane is fully assembled before shipment, including the tagline festoon system, The crane will be painted with one coat of yellow lead free alkyd enamel.

WARNING: Equipment described herein is not designed for and should not be used for lifting, supporting or transporting humans. Use of the equipment for this purpose can result in serious bodily injury and/or property damage.



**LOUDEN® 585 STEEL WHEEL
DUAL DRIVE CRANES**

585-2
Issued 9-7-01



NOTES:

1. Motor H.P. shown is for each motor. Two motors required.
2. Speeds shown are based on using 1800 R.P.M. motors. Standard 2-speed motors are 1800/600 R.P.M.
3. Available non-standard speeds are: 50, 100, 150 F.P.M.
4. Design load = Live load, plus 15% live load for impact, plus 1,290 lbs. for hoist and trolley.
5. Maximum permissible wheel load on 604 type supertrack girder is 2,500 lbs. (5,000 lbs. per 2-wheel trolley). For 605 trojan track girder the limitation is 3,750 lbs. (7,500 lbs. per two wheel trolley) when transferring through 505.7830 latch; 5,000 lbs. (10,000 lbs. per two wheel trolley) when capture on bridge or when used on super-trojan track runways. (Super-trojan track requires .7500 in. min. thickness of top flange, .4375 in. min. thickness of web, and splices must be welded rather than bolted.
6. All wheels 4 1/2 Tread Diameter
7. Weights shown are based on single speed drive and controls, flat-wire festoon tagline bridge electrification, and 12" overhang each end of bridge.
8. Calculated for this crane.

Max. Span Ft.	Part Number	Bridge Girder Required	Crane Weight (Lbs.)	Motor H.P.		OVERHANG					Truck Capacity (Max.)	Whl. Load Per Pair (8)	Idler Tr. Whl.
				Speed (F.P.M.)		In. Std.	In. Min.	In. Max.	505.7824 Latch	505.7825 Block			
Catalog Number 585.2003		2,000 lbs. Capacity					3,590 lbs. Design Load (4)						
12	41-0301	604.924	1450	1/2	1/2	12	7	18	14"	13"	5,000	2158	28-0882
14	41-0301	604.924	1504	1/2	1/2	12	7	18	14"	13"	5,000	2172	28-0882
16	41-0301	604.924	1558	1/2	1/2	12	7	18	14"	13"	5,000	2185	28-0882
18	41-0301	604.924	1612	1/2	1/2	12	7	18	14"	13"	5,000	2199	28-0882
20	41-0301	604.924	1666	1/2	1/2	12	7	18	14"	13"	5,000	2212	28-0882
22	41-0301	604.924	1720	1/2	1/2	12	7	18	14"	13"	5,000	2226	28-0882
24	41-0301	604.1231	1956	1/2	1/2	12	7	18	14"	13"	5,000	2285	28-0882
26	41-0301	604.1231	2024	1/2	1/2	12	7	18	14"	13"	5,000	2302	28-0882
28	41-0301	604.1231	2092	1/2	1/2	12	7	18	14"	13"	5,000	2319	28-0882
30	41-0301	604.1231	2160	1/2	1/2	12	7	18	14"	13"	5,000	2336	28-0882
32	41-0301	604.1435	2365	1/2	1/2	12	7	18	14"	13"	5,000	2386	28-0882
34	41-0301	604.1435	2441	1/2	1/2	12	7	18	14"	13"	5,000	2406	28-0882
36	41-0301	604.1435	2517	1/2	1/2	12	7	18	14"	13"	5,000	2424	28-0882
38	41-0301	604.1538	2710	1/2	1/2	12	7	18	14"	13"	5,000	2473	28-0882
40	41-0301	604.1538	2792	1/2	1/2	12	7	18	14"	13"	5,000	2493	28-0882
42	41-0301	604.1846	3226	1/2	1/2	12	7	18	14"	13"	10,000	2602	28-0593
44	41-0301	604.1846	3324	1/2	1/2	12	7	18	14"	13"	10,000	2626	28-0593
46	41-0301	604.1846	3422	1/2	1/2	12	7	18	14"	13"	10,000	2651	28-0593
48	41-0301	604.1846	3520	1/2	1/2	12	7	18	14"	13"	10,000	2675	28-0593
50	41-0301	604.2153	3982	1/2	1/2	12	7	18	14"	13"	10,000	2791	28-0593

WARNING: Equipment described herein is not designed for and should not be used for lifting, supporting or transporting humans. Use of the equipment for this purpose can result in serious bodily injury and/or property damage.



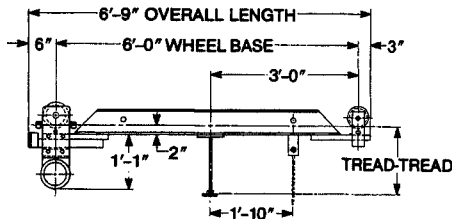
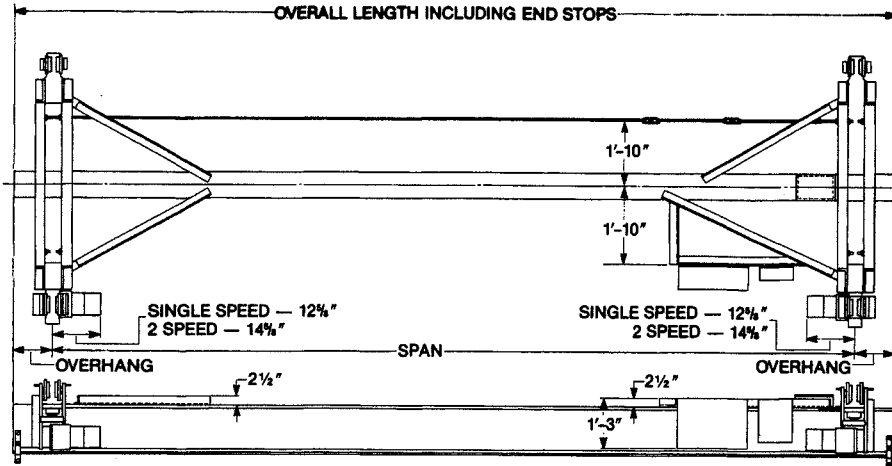
ACCO Material Handling Solutions
76 Acco Drive, Box 792, York, PA 17405-0792
717-741-4863, 800-967-7333, FAX 800-715-8897
E-mail: info@accomhs.com www.accomhs.com

© 2007 FKI Industries Inc.
Printed In USA



**LOUDEN® 585 STEEL WHEEL
DUAL DRIVE CRANES**

585-3
Issued 9-7-01



NOTES:

1. Motor H.P. shown is for each motor. Two motors required.
2. Speeds shown are based on using 1800 R.P.M. motors. Standard 2-speed motors are 1800/600 R.P.M.
3. Available non-standard speeds are: 50, 100, 150 F.P.M.
4. Design load = Live load, plus 15% live load for impact, plus 2,000 lbs. for hoist and trolley.
5. Maximum permissible wheel load on 604 type supertrack girder is 2,500 lbs. (5,000 lbs. per 2-wheel trolley). For 605 trojan track girder the limitation is 3,750 lbs. (7,500 lbs. per two wheel trolley) when transferring through 505.7830 latch; 5,000 lbs. (10,000 lbs. per two wheel trolley) when capture on bridge or when used on super-trojan track runways. (Super-trojan track requires .7500 in. min. thickness of top flange, .4375 in. min. thickness of web, and splices must be welded rather than bolted.
6. All wheels 4 1/2" Tread Diameter
7. Weights shown are based on single speed drive and controls, flat-wire festoon tagline bridge electrification, and 12" overhang each end of bridge.
8. Calculated for this crane.

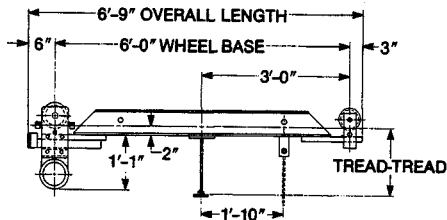
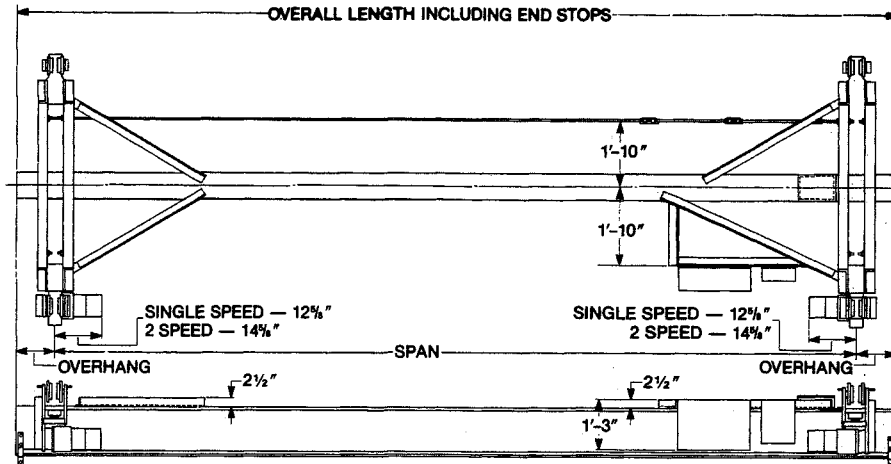
Max. Span Ft.	Part Number	Bridge Girder Required	Crane Weight (Lbs.)	Motor H.P.		OVERHANG					Truck Capacity (Max.)	Whl. Load Per Pair (8)	Idler Tr. Whl.
				Speed (F.P.M.)		In. Std.	In. Min.	In. Max.	505.7824 Latch	505.7825 Block			
				75	125								
Catalog Number 585.4003				4,000 lbs. Capacity					6,600 lbs. Design Load (4)				
12	41-0301	604.924	1450	1/2	1/2	12	7	18	14"	13"	10,000	3663	28-0593
14	41-0301	604.924	1504	1/2	1/2	12	7	18	14"	13"	10,000	3677	28-0593
16	41-0301	604.924	1558	1/2	1/2	12	7	18	14"	13"	10,000	3690	28-0593
18	41-0301	604.1231	1752	1/2	1/2	12	7	18	14"	13"	10,000	3739	28-0593
20	41-0301	604.1231	1820	1/2	1/2	12	7	18	14"	13"	10,000	3756	28-0593
22	41-0301	604.1231	1888	1/2	1/2	12	7	18	14"	13"	10,000	3773	28-0593
24	41-0301	604.1231	1956	1/2	1/2	12	7	18	14"	13"	10,000	3790	28-0593
26	41-0301	604.1435	2137	1/2	1/2	12	7	18	14"	13"	10,000	3835	28-0593
28	41-0301	604.1435	2213	1/2	1/2	12	7	18	14"	13"	10,000	3853	28-0593
30	41-0301	604.1538	2382	1/2	1/2	12	7	18	14"	13"	10,000	3896	28-0593
32	41-0301	604.1538	2464	1/2	1/2	12	7	18	14"	13"	10,000	3916	28-0593
34	41-0301	604.1846	2834	1/2	1/2	12	7	18	14"	13"	10,000	4009	28-0593
36	41-0301	604.1846	2932	1/2	1/2	12	7	18	14"	13"	10,000	4033	28-0593
38	41-0301	604.1846	3030	1/2	1/2	12	7	18	14"	13"	10,000	4058	28-0593
40	41-0301	604.2153	3422	1/2	1/2	12	7	18	14"	13"	10,000	4156	28-0593
42	41-0301	604.2153	3534	1/2	1/2	12	7	18	14"	13"	10,000	4184	28-0593
44	41-0301	604.2153	3646	1/2	1/2	12	7	18	14"	13"	10,000	4212	28-0593
46	41-0301	604.2153	3758	1/2	1/2	12	7	18	14"	13"	10,000	4240	28-0593
48	41-0301	605.2474	4920	1/2	1/2	12	7	18	14"	13"	10,000	4530	28-0593
50	41-0301	605.2474	5074	1/2	1/2	12	7	18	14"	13"	10,000	4569	28-0593

WARNING: Equipment described herein is not designed for and should not be used for lifting, supporting or transporting humans. Use of the equipment for this purpose can result in serious bodily injury and/or property damage.



**LOUHEN® 585 STEEL WHEEL
DUAL DRIVE CRANES**

585-4
Issued 9-7-01



NOTES:

1. Motor H.P. shown is for each motor. Two motors required.
2. Speeds shown are based on using 1800 R.P.M. motors. Standard 2-speed motors are 1800/600 R.P.M.
3. Available non-standard speeds are: 50, 100, 150 F.P.M.
4. Design load = Live load, plus 15% live load for impact, plus 2,000 lbs. for hoist and trolley.
5. Maximum permissible wheel load on 604 type supertrack girder is 2,500 lbs. (5,000 lbs. per 2-wheel trolley). For 605 trojan track girder the limitation is 3,750 lbs. (7,500 lbs. per two wheel trolley) when transferring through 505.7830 latch; 5,000 lbs. (10,000 lbs. per two wheel trolley) when capture on bridge or when used on super-trojan track runways. (Super-trojan track requires .7500 in. min. thickness of top flange, .4375 in. min. thickness of web, and splices must be welded rather than bolted.
6. All wheels 4 1/2 Tread Diameter
7. Weights shown are based on single speed drive and controls, flat-wire festoon tagline bridge electrification, and 12" overhang each end of bridge.
8. Calculated for this crane.

Max. Span Ft.	Part Number	Bridge Girder Required	Crane Weight (Lbs.)	Motor H.P.		OVERHANG					Truck Capacity (Max.)	Whl. Load Per Pair (8)	Idler Tr. Whl.
				Speed (F.P.M.)		In. Std.	In. Min.	In. Max.	505.7824 Latch	505.7825 Block			
				75	125								
Catalog Number 585.6003				6,000 lbs. Capacity					8,900 lbs. Design Load (4)				
12	41-0301	604.924	1450	1/2	1/2	12	7	18	14"	13"	10,000	4813	28-0593
14	41-0301	604.924	1504	1/2	1/2	12	7	18	14"	13"	10,000	4827	28-0593
16	41-0301	604.1231	1684	1/2	1/2	12	7	18	14"	13"	10,000	4872	28-0593
18	41-0301	604.1231	1752	1/2	1/2	12	7	18	14"	13"	10,000	4889	28-0593
20	41-0301	604.1231	1820	1/2	1/2	12	7	18	14"	13"	10,000	4906	28-0593
22	41-0301	604.1435	1979	1/2	1/2	12	7	18	14"	13"	10,000	4945	28-0593
24	41-0301	604.1435	2061	1/2	1/2	12	7	18	14"	13"	10,000	4965	28-0593
26	41-0302	604.1538	2688	1/2	1/2	12	9	18	16 1/2"	16"	20,000	2561	28-0593
28	41-0302	604.1538	2770	1/2	1/2	12	9	18	16 1/2"	16"	20,000	2572	28-0593
30	41-0302	604.1846	3108	1/2	1/2	12	9	18	16 1/2"	16"	20,000	2614	28-0593
32	41-0302	604.1846	3206	1/2	1/2	12	9	18	16 1/2"	16"	20,000	2626	28-0593
34	41-0302	604.1846	3304	1/2	1/2	12	9	18	16 1/2"	16"	20,000	2638	28-0593
36	41-0302	604.2153	3368	1/2	1/2	12	9	18	16 1/2"	16"	20,000	2684	28-0593
38	41-0302	604.2153	3780	1/2	1/2	12	9	18	16 1/2"	16"	20,000	2698	28-0593
40	41-0302	604.2153	3892	1/2	1/2	12	9	18	16 1/2"	16"	20,000	2712	28-0593
42	41-0302	605.2474	4928	1/2	1/2	12	9	18	16 1/2"	16"	20,000	2841	28-0593
44	41-0302	605.2474	5082	1/2	1/2	12	9	18	16 1/2"	16"	20,000	2861	28-0593
46	41-0302	605.2474	5236	1/2	1/2	12	9	18	16 1/2"	16"	20,000	2880	28-0593
48	41-0302	605.2785	5940	1/2	1/2	12	9	18	16 1/2"	16"	20,000	2968	28-0593
50	41-0302	605.2785	6116	1/2	1/2	12	9	18	16 1/2"	16"	20,000	2990	28-0593

WARNING: Equipment described herein is not designed for and should not be used for lifting, supporting or transporting humans. Use of the equipment for this purpose can result in serious bodily injury and/or property damage.



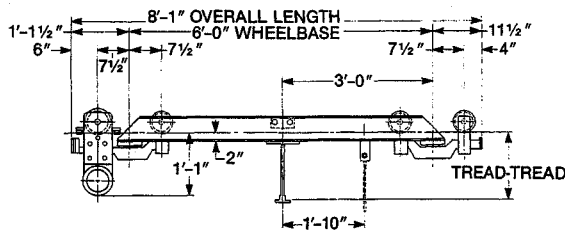
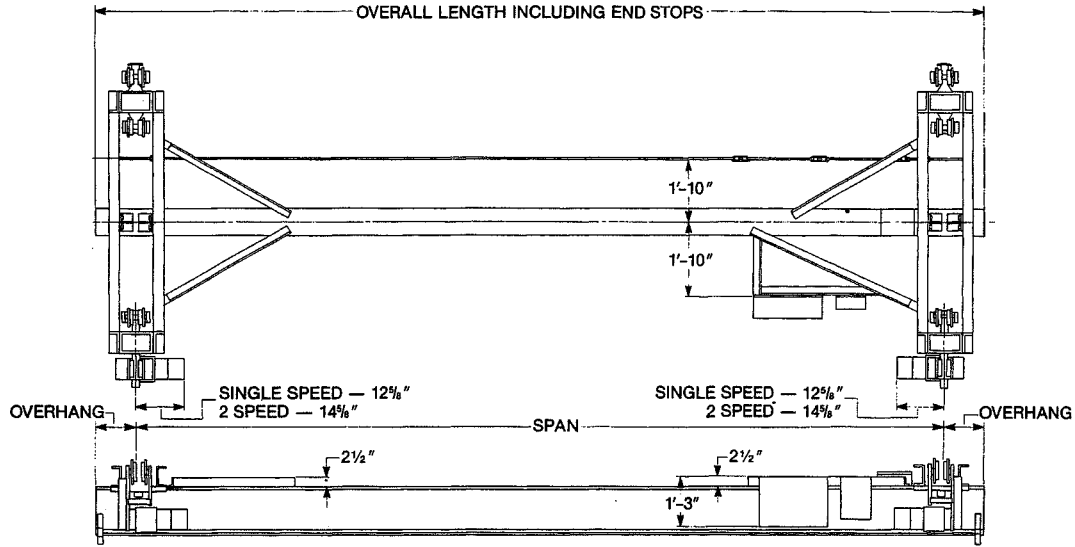
ACCO Material Handling Solutions
76 Acco Drive, Box 792, York, PA 17405-0792
717-741-4863, 800-967-7333, FAX 800-715-8897
E-mail: info@accomhs.com www.accomhs.com

© 2007 FKI Industries Inc.
Printed In USA



**LOUDEN® 585 STEEL WHEEL
DUAL DRIVE CRANES**

585-5
Issued 9-7-01



NOTES:

1. Motor H.P. shown is for each motor. Two motors required.
2. Speeds shown are based on using 1800 R.P.M. motors. Standard 2-speed motors are 1800/600 R.P.M.
3. Available non-standard speeds are: 50, 100, 150 F.P.M.
4. Design load = Live load, plus 15% live load for impact, plus 3,000 lbs. for hoist and trolley.
5. Maximum permissible wheel load on 604 type supertrack girder is 2,500 lbs. (5,000 lbs. per 2-wheel trolley). For 605 trojan track girder the limitation is 3,750 lbs. (7,500 lbs. per two wheel trolley) when transferring through 505.7830 latch; 5,000 lbs. (10,000 lbs. per two wheel trolley) when capture on bridge, or when used on super-trojan track runways. (Super-trojan track requires .7500 in. min. thickness of top flange, .4375 in. min. thickness of web, and splices must be welded rather than bolted.
6. All wheels 4 1/2 Tread Diameter
7. Weights shown are based on single speed drive and controls, flat-wire festoon tagline bridge electrification, and 12" overhang each end of bridge.
8. Calculated for this crane.

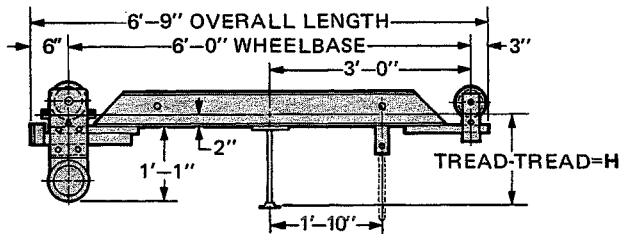
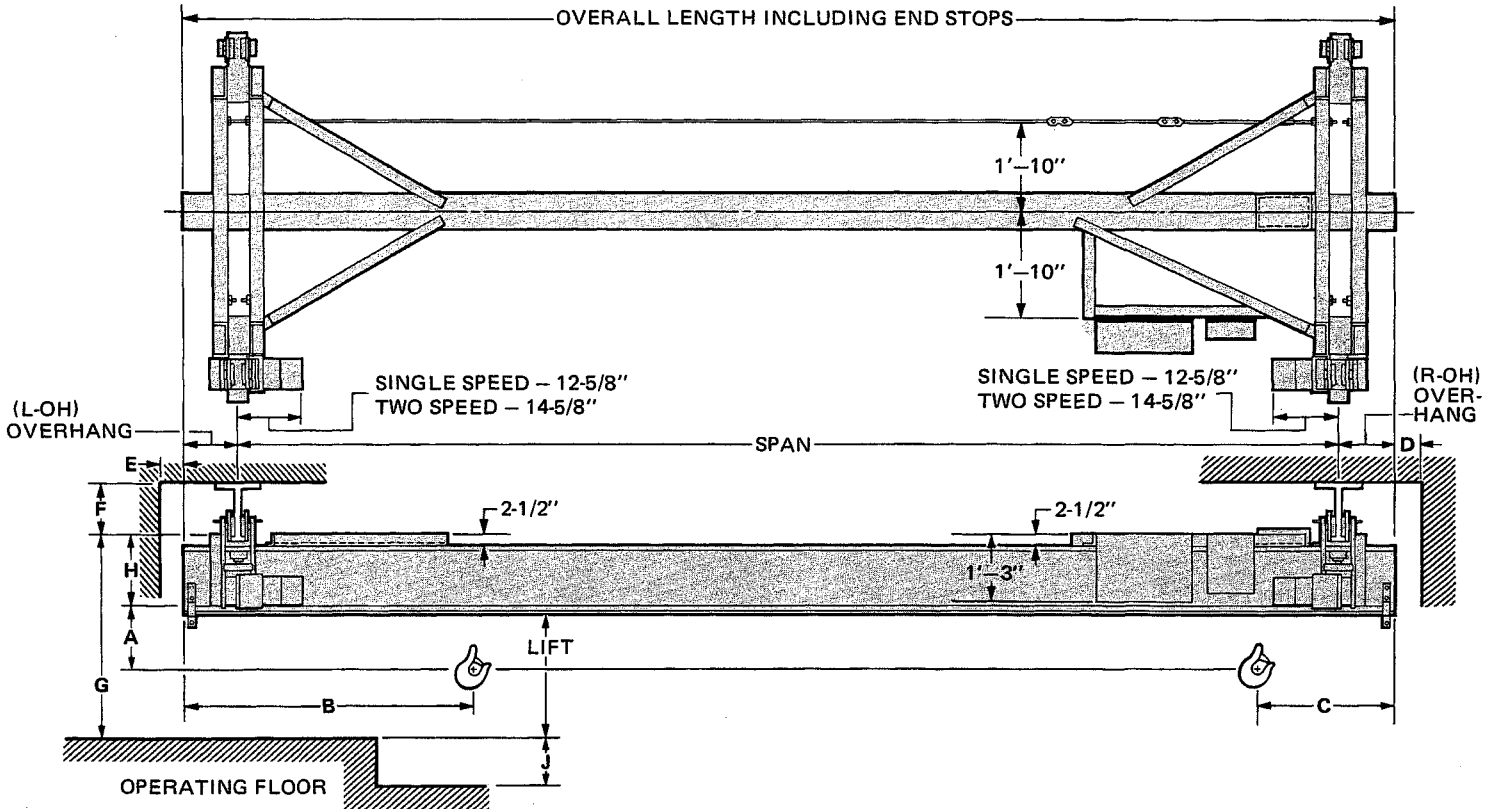
Max. Span Ft.	Part Number	Bridge Girder Required	Crane Weight (Lbs.)	Motor H.P.		OVERHANG					Truck Capacity (Max.)	Whl. Load Per Pair (8)	Idler Tr. Whl.
				Speed (F.P.M.)		In. Std.	In. Min.	In. Max.	505.7824 Latch	505.7825 Block			
Catalog Number 585.10003				10,000 lbs. Capacity					14,500 lbs. Design Load (4)				
12	41-0302	604.1231	2018	1/2	1/2	12	9	18	16 1/2"	16"	20,000	3878	28-0593
14	41-0302	604.1435	2086	1/2	1/2	12	9	18	16 1/2"	16"	20,000	3886	28-0593
16	41-0302	604.1435	2227	1/2	1/2	12	9	18	16 1/2"	16"	20,000	3904	28-0593
18	41-0302	604.1538	2354	1/2	1/2	12	9	18	16 1/2"	16"	20,000	3920	28-0593
20	41-0302	604.1538	2442	1/2	1/2	12	9	18	16 1/2"	16"	20,000	3931	28-0593
22	41-0302	604.1846	2716	1/2	1/2	12	9	18	16 1/2"	16"	20,000	3965	28-0593
24	41-0302	604.1846	2814	1/2	1/2	12	9	18	16 1/2"	16"	20,000	3977	28-0593
26	41-0302	604.1846	2912	1/2	1/2	12	9	18	16 1/2"	16"	20,000	3989	28-0593
28	41-0302	604.2153	3220	1/2	1/2	12	9	18	16 1/2"	16"	20,000	4028	28-0593
30	41-0302	604.2153	3332	1/2	1/2	12	9	18	16 1/2"	16"	20,000	4042	28-0593
32	41-0302	604.2153	3444	1/2	1/2	12	9	18	16 1/2"	16"	20,000	4056	28-0593
34	41-0302	604.2153	3556	1/2	1/2	12	9	18	16 1/2"	16"	20,000	4070	28-0593
36	41-0302	605.2474	4506	1/2	1	12	9	18	16 1/2"	16"	20,000	4187	28-0593
38	41-0302	605.2474	4660	1/2	1	12	9	18	16 1/2"	16"	20,000	4206	28-0593
40	41-0302	605.2474	4814	1/2	1	12	9	18	16 1/2"	16"	20,000	4225	28-0593
42	41-0302	605.2785	5452	1/2	1	12	9	18	16 1/2"	16"	20,000	4305	28-0593
44	41-0302	605.2785	5628	1/2	1	12	9	18	16 1/2"	16"	20,000	4327	28-0593
46	41-0302	605.3089	5996	1/2	1	12	9	18	16 1/2"	16"	20,000	4373	28-0593
48	41-0302	605.3094	6430	1/2	1	12	9	18	16 1/2"	16"	20,000	4427	28-0593
50	41-0302	605.3094	6624	1/2	1	12	9	18	16 1/2"	16"	20,000	4451	28-0593

WARNING: Equipment described herein is not designed for and should not be used for lifting, supporting or transporting humans. Use of the equipment for this purpose can result in serious bodily injury and/or property damage.



**LOUDEN® 585 STEEL WHEEL
DUAL DRIVE CRANES-4 WHEEL TRUCKS**

585-7
Issued 9-7-01



NOTE: Right-hand runway is standard location of runway conductors.
Minimum OSHA clearance between crane and obstruction requires 2" lateral and 3" overhead.

CRANE CATALOGUE NO. _____

CAPACITY _____

SPAN _____

LEFT O.H. _____

RIGHT O.H. _____

BRIDGE GIRDER _____

TRAVEL SPEED _____

RUNWAY TRACK _____

HOIST PROD. NO. _____

WHEEL LOADING _____

POWER SUPPLY _____

CONTROL _____

CUSTOMER: _____

CUST. ORDER NO. _____

ACCO QUOTE NO. _____

ACCO JOB NO. _____

REQUIRED DATE _____

CUSTOMER APPROVAL _____

A _____

B _____

C _____

D _____

E _____

F _____

G _____

H _____

J _____

DATE _____ SIGNATURE _____

WARNING: Equipment described herein is not designed for, and should not be used for lifting, supporting or transporting humans.
Failure to comply with any one of the limitations noted herein can result in serious bodily injury and/or property damage.



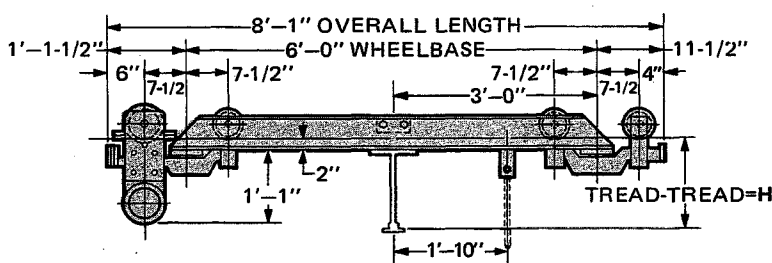
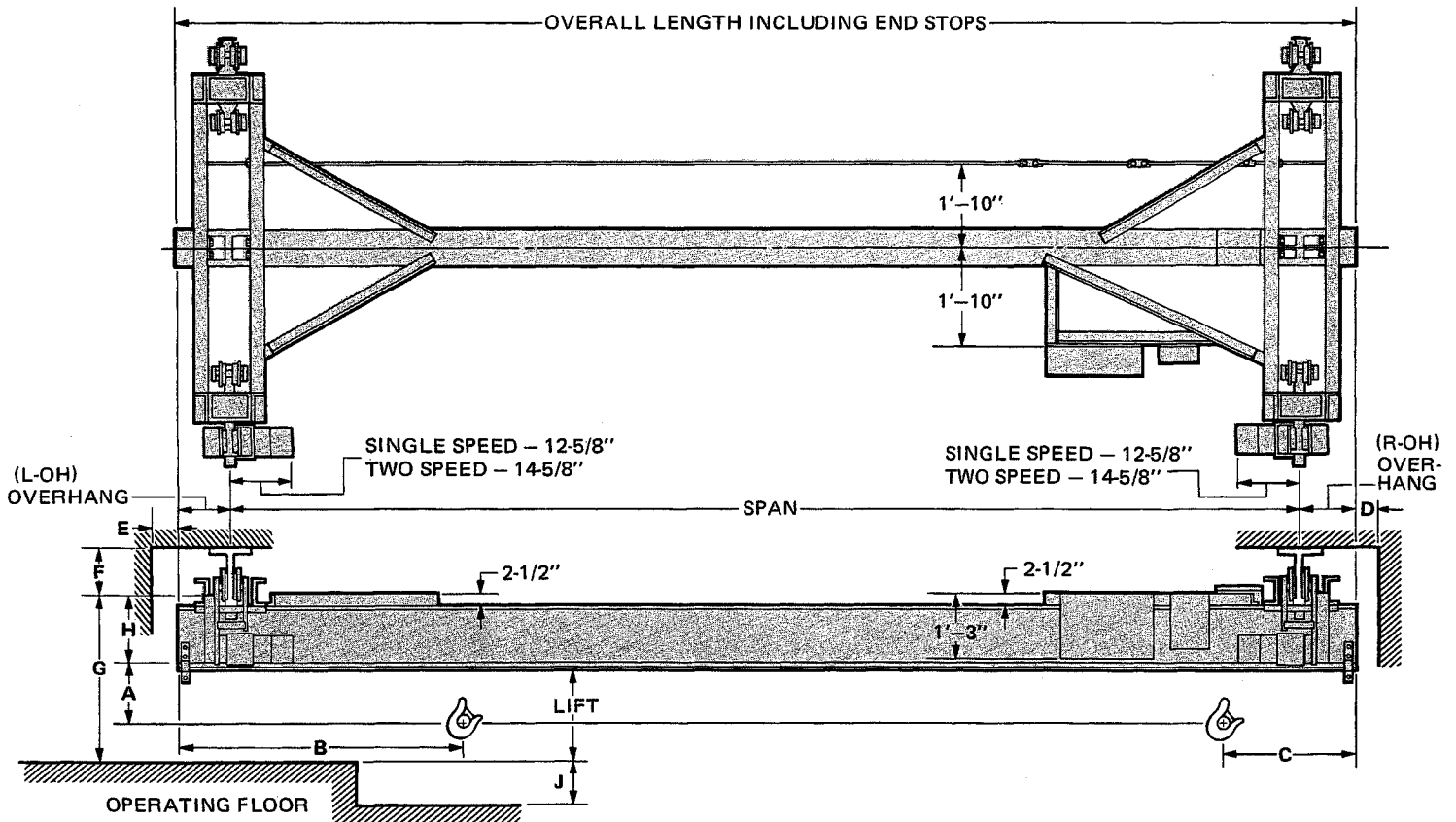
ACCO Material Handling Solutions
76 Acco Drive, Box 792, York, PA 17405-0792
717-741-4863, 800-967-7333, FAX 800-715-8897
E-mail: info@accomhs.com www.accomhs.com

© 2007 FKI Industries Inc.
Printed In USA



**LOUDEN® 585 STEEL WHEEL
DUAL DRIVE CRANES-8 WHEEL TRUCKS**

585-8
Issued 9-7-01



NOTE: Right-hand runway is standard location of runway conductors.
Minimum OSHA clearance between crane and obstruction requires 2" lateral and 3" overhead.

CRANE CATALOGUE NO. _____
 CAPACITY _____
 SPAN _____
 LEFT O.H. _____
 RIGHT O.H. _____
 BRIDGE GIRDER _____
 TRAVEL SPEED _____
 RUNWAY TRACK _____
 HOIST PROD. NO. _____
 WHEEL LOADING _____
 POWER SUPPLY _____
 CONTROL _____

CUSTOMER: _____

 CUST. ORDER NO. _____
 ACCO QUOTE NO. _____
 ACCO JOB NO. _____
 REQUIRED DATE _____
 CUSTOMER APPROVAL _____

A _____
 B _____
 C _____
 D _____
 E _____
 F _____
 G _____
 H _____
 J _____

DATE _____

SIGNATURE _____

WARNING: Equipment described herein is not designed for, and should not be used for lifting, supporting or transporting humans.

Failure to comply with any one of the limitations noted herein can result in serious bodily injury and/or property damage.



ACCO Material Handling Solutions
 76 Acco Drive, Box 792, York, PA 17405-0792
 717-741-4863, 800-967-7333, FAX 800-715-8897
 E-mail: info@accomhs.com www.accomhs.com