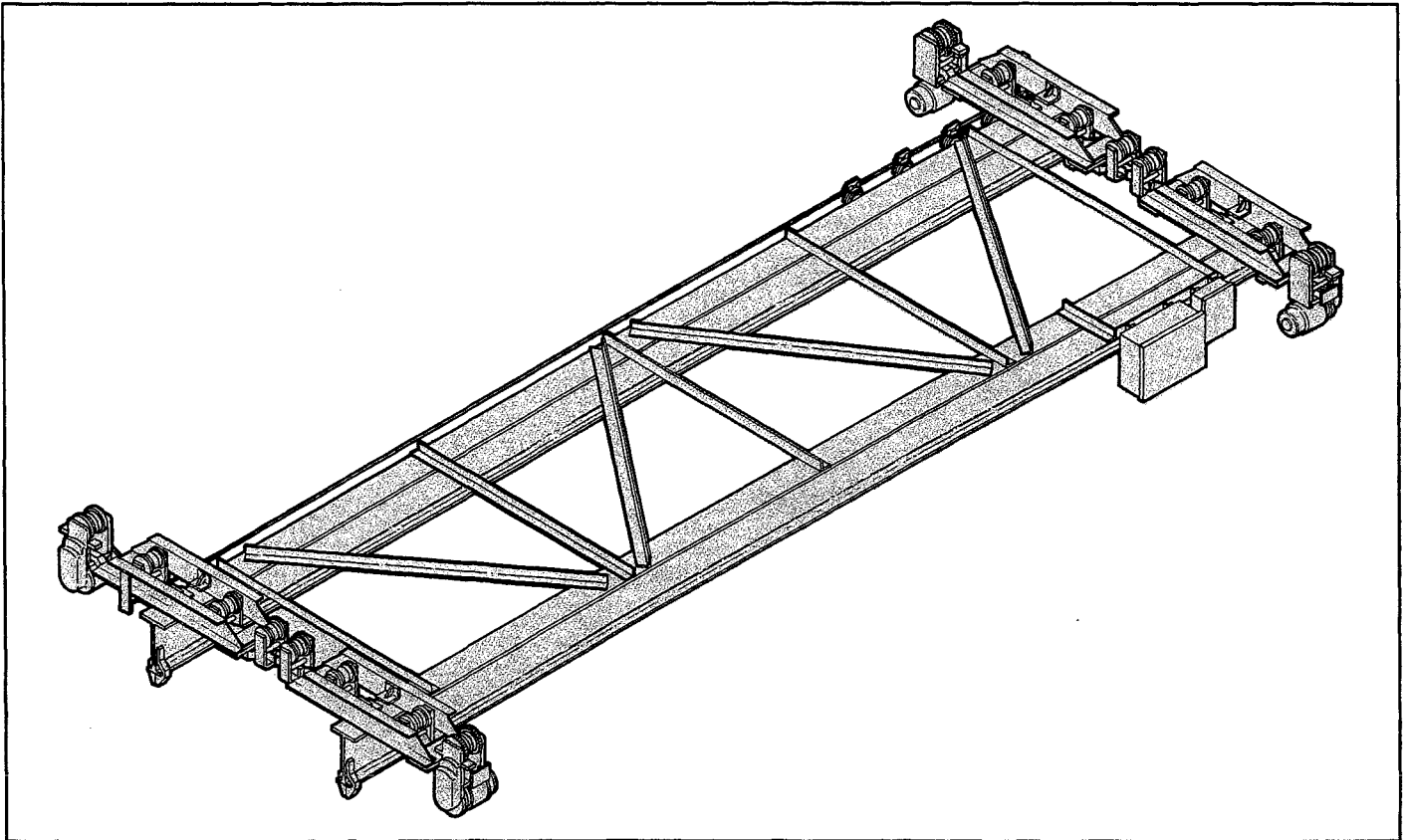


LOUDEN®
586 DOUBLE GIRDER
STEEL WHEEL
DRIVE CRANES

**Double Girder, Steel Wheel Drive, Two-Runway Cranes To Operate on
604 and 605 Girder Track, 3.33" Operating Flange Runways, For Use With Electric, Air or Hand Chain Hoists**



The Louden Series 586 double girder steel wheel drive crane is offered in capacities of 1 through 10 tons, with spans to 56 feet. Standard bridge speeds are 75 and 125 F.P.M., single speed. Optional travel speeds (single speed) are 50, 100, 150 F.P.M. Also available in 2-speed and variable speed.

All speeds will have adjustable torque and speed ramps through the use of the Acco Acceleration Control Module, a solid state device providing smooth bridge motion and excellent load control.

Standard crane motors are T.E.N.V., 30 minute, with Class F insulation, 55 degree rise over 60 degree ambient. All crane motors will have an AC disc brake as standard.

Available current characteristics are 460/230 volts, 3 phase, 60 Hertz, with 115 volt control circuit.

The gear reducer utilizes spur gears cut from solid blanks to AGMA specifications, and heat treated to achieve C-60 minimum hardness – Rockwell. All gears shall be fully enclosed in an oil tight housing and splash lubricated, except for the final gear reduction at the driving wheel.

The driving wheels are 4½" in diameter at the tread and all idler trolleys are 4½" tread diameter. All wheels are drop forged and shall be a minimum of 425 Brinell hardness. Bearings shall be double row ball or tapered roller bearings.

Standard electrical equipment includes NEMA type 12 enclosure, a mainline magnetic contactor, manually operated fused mainline disconnect switch with lock out provision, branch circuit fuses, single speed magnetic reversing contactor, transformer with fused secondary, and flat wire festoon tagline bridge electrification. Festooning will consist of four power conductors and eight control conductors.



**LOUDEN® 586 DOUBLE GIRDER
STEEL WHEEL DRIVE CRANES**

586-2
Issued 9-7-01

Each crane is custom designed to fit the structure from which it is to be supported. It is designed to meet or exceed the standards of the Monorail Manufacturers Association and ANSI specification #MH27.1-1996.

The 586 series crane is designed for Class C moderate service (as defined by the above ANSI standard).

The crane is fully assembled before shipment, including the tagline festoon system, The crane will be painted with one coat of yellow lead free alkyd enamel, disassembled and match-marked for shipment.

WARNING: Equipment described herein is not designed for and should not be used for lifting, supporting or transporting humans. Use of the equipment for this purpose can result in serious bodily injury and/or property damage.



ACCO Material Handling Solutions
76 Acco Drive, Box 792, York, PA 17405-0792
717-741-4863, 800-967-7333, FAX 800-715-8897
E-mail: info@accomhs.com www.accomhs.com

© 2007 FKI Industries Inc.
Printed In USA



LOUOEN® PRODUCTS - SECTION 500
DOUBLE GIRDER, STEEL WHEEL
MULTIPLE DRIVE CRANES

586-3
 Issued 9-7-01

DOUBLE GIRDER, STEEL WHEEL MULTIPLE DRIVE CRANES
TO OPERATE ON TWO RUNWAYS OF 604 SUPERTRACK
GIRDER OR 605 TROJANTRACK GIRDER, FOR USE WITH
ELECTRIC OR AIR HOISTS ON DOUBLE GIRDER TROLLEYS.

Max. Span Ft.	Bridge Girder Required	Crane Weight (Lbs.)	Motor H.P.		Overhang					Crane Trucks		Wheel Load Per Pair (2)
			Speed (F.P.M.)		In. Std.	In. Min.	In. Max.	505.7824 Latch	505.7830 Latch	No. Wheels	Capacity (Max.)	
			75	125								
Catalog No. 586.2003			2000 Lbs. Capacity					4600 Lbs. Design Load (1)				
18	604.924	3248	1/2	1/2	12	7	18	14	13	4	10000	3112
20	604.924	3400	1/2	1/2	12	7	18	14	13	4	10000	3150
22	604.924	3552	1/2	1/2	12	7	18	14	13	4	10000	3188
24	604.924	3704	1/2	1/2	12	7	18	14	13	4	10000	3226
26	604.1231	4248	1/2	1/2	12	7	18	14	13	4	10000	3362
28	604.1231	4428	1/2	1/2	12	7	18	14	13	4	10000	3407
30	604.1231	4608	1/2	1/2	12	7	18	14	13	4	10000	3452
32	604.1231	4788	1/2	1/2	12	7	18	14	13	4	10000	3497
34	604.1231	4968	1/2	1/2	12	7	18	14	13	4	10000	3542
36	604.1435	5454	1/2	1/2	12	7	18	14	13	4	10000	3664
38	604.1435	5650	1/2	1/2	12	7	18	14	13	4	10000	3713
40	604.1538	5672	1/2	1/2	12	7	18	14	13	4	10000	3718
42	604.1538	5880	1/2	1/2	12	7	18	14	13	4	10000	3770
44	604.1846	7244	1/2	1/2	12	7	18	14	13	4	10000	4110
46	604.1846	7484	1/2	1/2	12	7	18	14	13	4	10000	4171
48	604.1846	7724	1/2	1/2	12	7	18	14	13	4	10000	4231
50	604.1846	7964	1/2	1/2	12	7	18	14	13	4	10000	4291
52	604.2153	8960	1/2	1/2	12	7	18	14	13	4	10000	4540
54	604.2153	9228	1/2	1/2	12	7	18	14	13	4	10000	4607
56	604.2153	9496	1/2	1/2	12	7	18	14	13	4	10000	4674

NOTES:

- Design load = Live Load, plus 15% live load for impact, plus 2,300 lbs. for hoist and trolley.
- Calculated for this crane with specified design load.
- Maximum permissible wheel load on 603 *SuperTrack* and 604 *SuperTrack* Girder is 2,500 Lbs. (5,000 Lbs. per two-wheel trolley). For 605 *TrojanTrack* Girder the limitation is 3,750 Lbs. (7,500 Lbs. per two-wheel trolley) when transferring through 505.7830 latch; 5,000 Lbs. (10,000 lbs. per two wheel trolley) when captive on bridge, or when used on *Super-TrojanTrack* Runways. (*Super-TrojanTrack* requires .75 in. min. thickness of top flange, .4375 in. min. thickness of web, and splices must be welded rather than bolted.)
- Motor H.P. shown is for each motor. A minimum of 25% of trolleys must be driven. Example: Cranes with 4-wheel or 8-wheel end trucks use two motor-drives. Cranes with 16-wheel end trucks use four motor-drives.
- Speeds shown are based on using 1800 R.P.M. motors. Standard 2-speed motors are 1800/600 R.P.M.
- Available non-standard speeds are: 50, 100, 150 F.P.M.
- All wheels 4½" Tread Diameter
- Weights shown are based on single speed drive and controls, flat-wire festoon tagline bridge electrification, and 12" overhang each end of bridge.

WARNING: Equipment described herein is not designed for and should not be used for lifting, supporting, or transporting humans. Use of the equipment for this purpose can result in serious bodily injury and/or property damage.

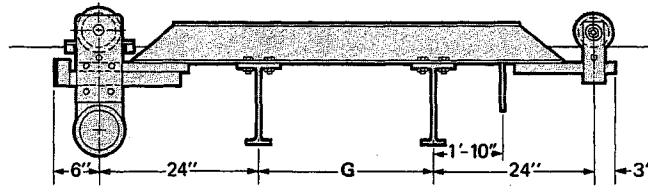


LOUDEN® PRODUCTS - SECTION 500
DOUBLE GIRDER, STEEL WHEEL
MULTIPLE DRIVE CRANES

586-4
Issued 9-7-01

**DOUBLE GIRDER, STEEL WHEEL MULTIPLE DRIVE CRANES
TO OPERATE ON TWO RUNWAYS OF 604 SUPERTRACK
GIRDER OR 605 TROJANTRACK GIRDER, FOR USE WITH
ELECTRIC OR AIR HOISTS ON DOUBLE GIRDER TROLLEYS.**

586.2000 — 18' to 56' SPANS



ACCO Material Handling Solutions
76 Acco Drive, Box 792, York, PA 17405-0792
717-741-4863, 800-967-7333, FAX 800-715-8897
E-mail: info@accomhs.com www.accomhs.com

© 2007 FKI Industries Inc.
Printed In USA



LOUDEN® PRODUCTS - SECTION 500
DOUBLE GIRDER, STEEL WHEEL
MULTIPLE DRIVE CRANES

586-5
 Issued 9-7-01

DOUBLE GIRDER, STEEL WHEEL MULTIPLE DRIVE CRANES
TO OPERATE ON TWO RUNWAYS OF 604 SUPERTRACK
GIRDER OR 605 TROJANTRACK GIRDER, FOR USE WITH
ELECTRIC OR AIR HOISTS ON DOUBLE GIRDER TROLLEYS.

Max. Span Ft.	Bridge Girder Required	Crane Weight (Lbs.)	Motor H.P.		Overhang					Crane Trucks		Wheel Load Per Pair (2)
			Speed (F.P.M.)		In. Std.	In. Min.	In. Max.	505.7824 Latch	505.7830 Latch	No. Wheels	Capacity (Max.)	
			75	125								
Catalog No. 586.4003			4000 Lbs. Capacity					7110 Lbs. Design Load (1)				
18	604.924	3248	1/2	1/2	12	7	18	14	13	4	10000	4367
20	604.924	3400	1/2	1/2	12	7	18	14	13	4	10000	4405
22	604.1231	3888	1/2	1/2	12	7	18	14	13	4	10000	4527
24	604.1231	4068	1/2	1/2	12	7	18	14	13	4	10000	4572
26	604.1231	4248	1/2	1/2	12	7	18	14	13	4	10000	4617
28	604.1231	4428	1/2	1/2	12	7	18	14	13	4	10000	4662
30	604.1231	4608	1/2	1/2	12	7	18	14	13	4	10000	4707
32	604.1435	5062	1/2	1/2	12	7	18	14	13	4	10000	4821
34	604.1435	5258	1/2	1/2	12	7	18	14	13	4	10000	4870
36	604.1538	6123	1/2	1/2	12	9	18	16½	16	8	20000	2543
38	604.1538	6331	1/2	1/2	12	9	18	16½	16	8	20000	2569
40	604.1846	7306	1/2	1/2	12	9	18	16½	16	8	20000	2691
42	604.1846	7546	1/2	1/2	12	9	18	16½	16	8	20000	2721
44	604.1846	7786	1/2	1/2	12	9	18	16½	16	8	20000	2751
46	604.1846	8026	1/2	1/2	12	9	18	16½	16	8	20000	2781
48	604.2153	8952	1/2	1/2	12	9	18	16½	16	8	20000	2897
50	604.2153	9220	1/2	1/2	12	9	18	16½	16	8	20000	2930
52	604.2153	9488	1/2	1/2	12	9	18	16½	16	8	20000	2964
54	605.2166	11212	1/2	1	12	9	18	16½	16	8	20000	3179
56	605.2166	11532	1/2	1	12	9	18	16½	16	8	20000	3219

NOTES:

- Design load = Live Load, plus 15% live load for impact, plus 2,510 lbs. for hoist and trolley.
- Calculated for this crane with specified design load.
- Maximum permissible wheel load on 603 SuperTrack and 604 SuperTrack Girder is 2,500 Lbs. (5,000 Lbs. per two-wheel trolley). For 605 TrojanTrack Girder the limitation is 3,750 Lbs. (7,500 Lbs. per two-wheel trolley) when transferring through 505.7830 latch; 5,000 Lbs. (10,000 lbs. per two wheel trolley) when captive on bridge, or when used on Super-TrojanTrackRunways. (Super-Trojan-Track requires .75 in. min. thickness of top flange, .4375 in. min. thickness of web, and splices must be welded rather than bolted.)
- Motor H.P. shown is for each motor. A minimum of 25% of trolleys must be driven. Example: Cranes with 4-wheel or 8-wheel end trucks use two motor-drives. Cranes with 16-wheel end trucks use four motor-drives.
- Speeds shown are based on using 1800 R.P.M. motors. Standard 2-speed motors are 1800/600 R.P.M.
- Available non-standard speeds are: 50, 100, 150 F.P.M.
- All wheels 4½" Tread Diameter
- Weights shown are based on single speed drive and controls, flat-wire festoon tagline bridge electrification, and 12" overhang each end of bridge.

WARNING: Equipment described herein is not designed for and should not be used for lifting, supporting, or transporting humans. Use of the equipment for this purpose can result in serious bodily injury and/or property damage.

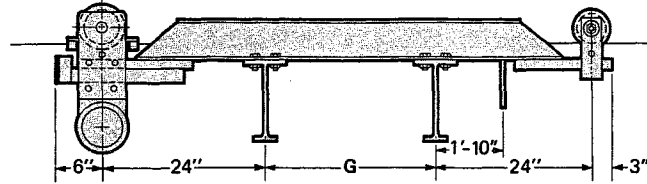


LOUDEN® PRODUCTS - SECTION 500
DOUBLE GIRDER, STEEL WHEEL
MULTIPLE DRIVE CRANES

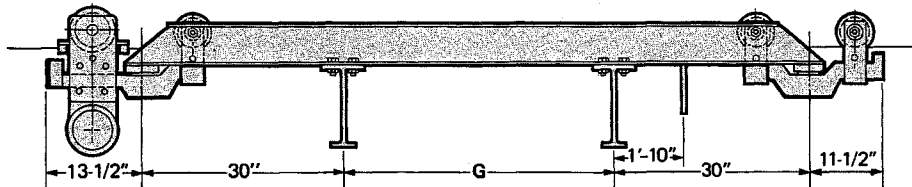
586-6
Issued 9-7-01

DOUBLE GIRDER, STEEL WHEEL MULTIPLE DRIVE CRANES
TO OPERATE ON TWO RUNWAYS OF 604 SUPERTRACK
GIRDER OR 605 TROJANTRACK GIRDER, FOR USE WITH
ELECTRIC OR AIR HOISTS ON DOUBLE GIRDER TROLLEYS.

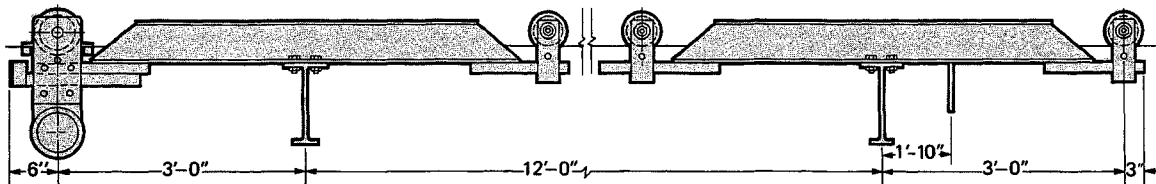
586.4000 — 18' to 34' SPANS



586.4000 — 36' to 56' SPANS



or



ACCO Material Handling Solutions
76 Acco Drive, Box 792, York, PA 17405-0792
717-741-4863, 800-967-7333, FAX 800-715-8897
E-mail: info@accomhs.com www.accomhs.com

© 2007 FKI Industries Inc.
Printed In USA



LOUDEN® PRODUCTS - SECTION 500
DOUBLE GIRDER, STEEL WHEEL
MULTIPLE DRIVE CRANES

586-7
 Issued 9-7-01

DOUBLE GIRDER, STEEL WHEEL MULTIPLE DRIVE CRANES
TO OPERATE ON TWO RUNWAYS OF 604 SUPERTRACK
GIRDER OR 605 TROJANTRACK GIRDER, FOR USE WITH
ELECTRIC OR AIR HOISTS ON DOUBLE GIRDER TROLLEYS.

Max. Span Ft.	Bridge Girder Required	Crane Weight (Lbs.)	Motor H.P.		Overhang					Crane Trucks		Wheel Load Per Pair (2)
			Speed (F.P.M.)		In. Std.	In. Min.	In. Max.	505.7824 Latch	505.7830 Latch	No. Wheels	Capacity (Max.)	
			75	125								
Catalog No. 586.6003			6000 Lbs. Capacity					9480 Lbs. Design Load (1)				
18	604.924	3770	1/2	1/2	12	9	18	16½	16	8	20000	2842
20	604.1231	4236	1/2	1/2	12	9	18	16½	16	8	20000	2900
22	604.1231	4416	1/2	1/2	12	9	18	16½	16	8	20000	2923
24	604.1231	4596	1/2	1/2	12	9	18	16½	16	8	20000	2945
26	604.1231	4776	1/2	1/2	12	9	18	16½	16	8	20000	2968
28	604.1435	5198	1/2	1/2	12	9	18	16½	16	8	20000	3020
30	604.1435	5394	1/2	1/2	12	9	18	16½	16	8	20000	3045
32	604.1435	5590	1/2	1/2	12	9	18	16½	16	8	20000	3069
34	604.1538	5996	1/2	1/2	12	9	18	16½	16	8	20000	3120
36	604.1538	6204	1/2	1/2	12	9	18	16½	16	8	20000	3146
38	604.1846	7092	1/2	1/2	12	9	18	16½	16	8	20000	3257
40	604.1846	7332	1/2	1/2	12	9	18	16½	16	8	20000	3287
42	604.1846	7572	1/2	1/2	12	9	18	16½	16	8	20000	3317
44	604.1846	7812	1/2	1/2	12	9	18	16½	16	8	20000	3347
46	604.2153	8724	1/2	1	12	9	18	16½	16	8	20000	3461
48	604.2153	8992	1/2	1	12	9	18	16½	16	8	20000	3494
50	604.2153	9260	1/2	1	12	9	18	16½	16	8	20000	3528
52	605.2166	10932	1/2	1	12	9	18	16½	16	8	20000	3737
54	605.2166	11252	1/2	1	12	9	18	16½	16	8	20000	3777
56	605.2474	12500	1/2	1	12	9	18	16½	16	8	20000	3933

NOTES:

- Design load = Live Load, plus 15% live load for impact, plus 2,580 lbs. for hoist and trolley.
- Calculated for this crane with specified design load.
- Maximum permissible wheel load on 603 SuperTrack and 604 SuperTrack Girder is 2,500 Lbs. (5,000 Lbs. per two-wheel trolley). For 605 TrojanTrack Girder the limitation is 3,750 Lbs. (7,500 Lbs. per two-wheel trolley) when transferring through 505.7830 latch; 5,000 Lbs. (10,000 lbs. per two wheel trolley) when captive on bridge, or when used on Super-TrojanTrackRunways. (Super-TrojanTrack requires .75 in. min. thickness of top flange, .4375 in. min. thickness of web, and splices must be welded rather than bolted.)
- Motor H.P. shown is for each motor. A minimum of 25% of trolleys must be driven. Example: Cranes with 4-wheel or 8-wheel end trucks use two motor-drives. Cranes with 16-wheel end trucks use four motor-drives.
- Speeds shown are based on using 1800 R.P.M. motors. Standard 2-speed motors are 1800/600 R.P.M.
- Available non-standard speeds are: 50, 100, 150 F.P.M.
- All wheels 4½" Tread Diameter
- Weights shown are based on single speed drive and controls, flat-wire festoon tagline bridge electrification, and 12" overhang each end of bridge.

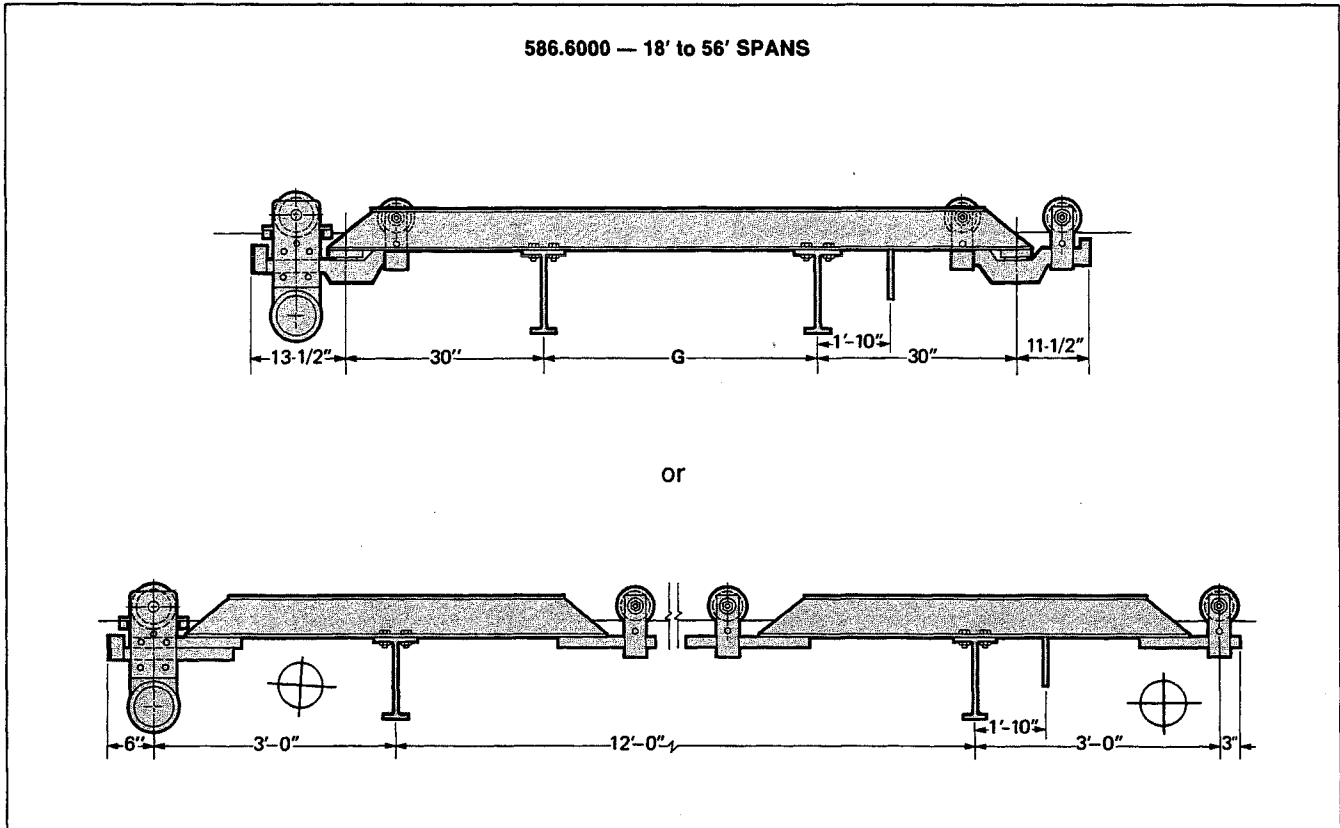
WARNING: Equipment described herein is not designed for and should not be used for lifting, supporting, or transporting humans. Use of the equipment for this purpose can result in serious bodily injury and/or property damage.



LOUDEN® PRODUCTS - SECTION 500
DOUBLE GIRDER, STEEL WHEEL
MULTIPLE DRIVE CRANES

586-8
Issued 9-7-01

**DOUBLE GIRDER, STEEL WHEEL MULTIPLE DRIVE CRANES
TO OPERATE ON TWO RUNWAYS OF 604 SUPERTRACK
GIRDER OR 605 TROJANTRACK GIRDER, FOR USE WITH
ELECTRIC OR AIR HOISTS ON DOUBLE GIRDER TROLLEYS.**



ACCO Material Handling Solutions
76 Acco Drive, Box 792, York, PA 17405-0792
717-741-4863, 800-967-7333, FAX 800-715-8897
E-mail: info@accomhs.com www.accomhs.com

© 2007 FKI Industries Inc.
Printed In USA



LOUDEN® PRODUCTS - SECTION 500
DOUBLE GIRDER, STEEL WHEEL
MULTIPLE DRIVE CRANES

586-9
 Issued 9-7-01

DOUBLE GIRDER, STEEL WHEEL MULTIPLE DRIVE CRANES
TO OPERATE ON TWO RUNWAYS OF 604 SUPERTRACK
GIRDER OR 605 TROJANTRACK GIRDER, FOR USE WITH
ELECTRIC OR AIR HOISTS ON DOUBLE GIRDER TROLLEYS.

Max. Span Ft.	Bridge Girder Required	Crane Weight (Lbs.)	Motor H.P.		Overhang					Crane Trucks		Wheel Load Per Pair (2)
			Speed (F.P.M.)		In. Std.	In. Min.	In. Max.	505.7824 Latch	505.7830 Latch	No. Wheels	Capacity (Max.)	
			75	125								
Catalog No. 586.10003			10000 Lbs. Capacity					15840 Lbs. Design Load (1)				
18	604.1231	4050	1/2	1	12	9	18	16½	16	8	20000	4472
20	604.1231	4230	1/2	1	12	9	18	16½	16	8	20000	4495
22	604.1231	4410	1/2	1	12	9	18	16½	16	8	20000	4517
24	604.1435	4806	1/2	1	12	9	18	16½	16	8	20000	4566
26	604.1435	5002	1/2	1	12	9	18	16½	16	8	20000	4591
28	604.1538	5372	1/2	1	12	9	18	16½	16	8	20000	4637
30	604.1538	5580	1/2	1	12	9	18	16½	16	8	20000	4663
32	604.1846	6332	1/2	1	12	9	18	16½	16	8	20000	4757
34	604.1846	6572	1/2	1	12	9	18	16½	16	8	20000	4787
36	604.1846	6812	1/2	1	12	9	18	16½	16	8	20000	4817
38	604.2153	7652	1/2	1	12	9	18	16½	16	8	20000	4922
40	604.2153	8864	1/2	1/2	12	9	18	16½	16	16	40000	2534
42	604.2153	9132	1/2	1/2	12	9	18	16½	16	16	40000	2551
44	604.2153	9400	1/2	1/2	12	9	18	16½	16	16	40000	2568
46	605.2166	10854	1/2	1/2	12	9	18	16½	16	16	40000	2659
48	605.2166	11174	1/2	1/2	12	9	18	16½	16	16	40000	2679
50	605.2474	12418	1/2	1/2	12	9	18	16½	16	16	40000	2757
52	605.2474	12770	1/2	1/2	12	9	18	16½	16	16	40000	2779
54	605.2474	13122	1/2	1/2	12	9	18	16½	16	16	40000	2801
56	605.2785	14750	1/2	1/2	12	9	18	16½	16	16	40000	2902

NOTES:

- Design load = Live Load, plus 15% live load for impact, plus 4,340 lbs. for hoist and trolley.
- Calculated for this crane with specified design load.
- Maximum permissible wheel load on 603 SuperTrack and 604 SuperTrack Girder is 2,500 Lbs. (5,000 Lbs. per two-wheel trolley). For 605 TrojanTrack Girder the limitation is 3,750 Lbs. (7,500 Lbs. per two-wheel trolley) when transferring through 505.7830 latch; 5,000 Lbs. (10,000 lbs. per two wheel trolley) when captive on bridge, or when used on Super-TrojanTrackRunways. (Super-Trojan-Track requires .75 in. min. thickness of top flange, .4375 in. min. thickness of web, and splices must be welded rather than bolted.)
- Motor H.P. shown is for each motor. A minimum of 25% of trolleys must be driven. Example: Cranes with 4-wheel or 8-wheel end trucks use two motor-drives. Cranes with 16-wheel end trucks use four motor-drives.
- Speeds shown are based on using 1800 R.P.M. motors. Standard 2-speed motors are 1800/600 R.P.M.
- Available non-standard speeds are: 50, 100, 150 F.P.M.
- All wheels 4½" Tread Diameter
- Weights shown are based on single speed drive and controls, flat-wire festoon tagline bridge electrification, and 12" overhang each end of bridge.

WARNING: Equipment described herein is not designed for and should not be used for lifting, supporting, or transporting humans. Use of the equipment for this purpose can result in serious bodily injury and/or property damage.

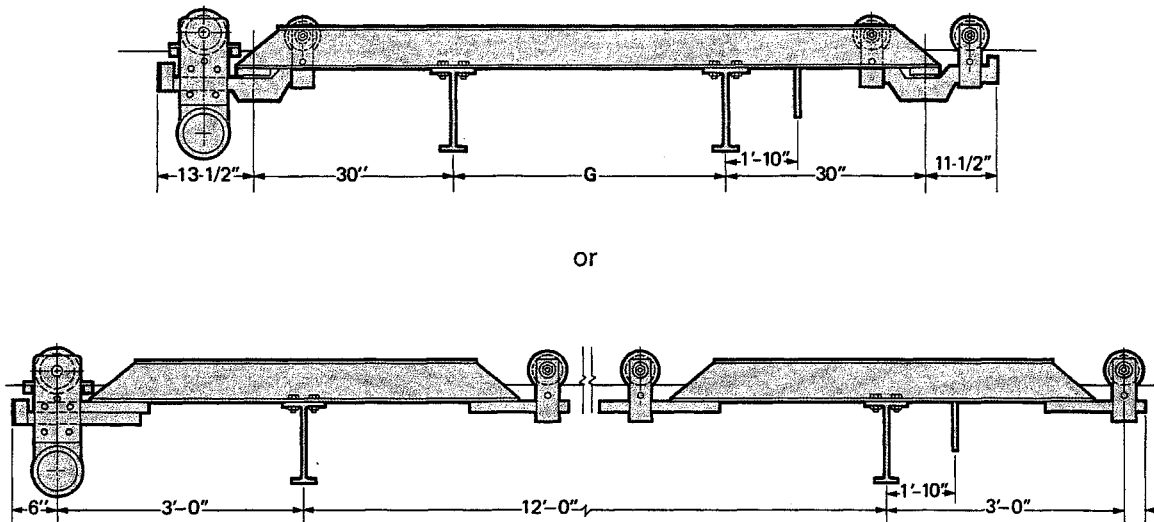


LOUDEN® PRODUCTS - SECTION 500
DOUBLE GIRDER, STEEL WHEEL
MULTIPLE DRIVE CRANES

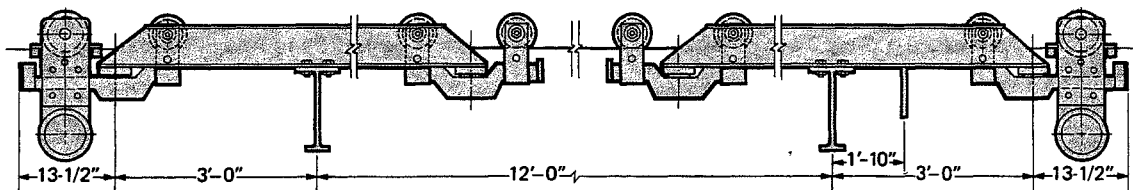
586-10
Issued 9-7-01

DOUBLE GIRDER, STEEL WHEEL MULTIPLE DRIVE CRANES
TO OPERATE ON TWO RUNWAYS OF 604 SUPERTRACK
GIRDER OR 605 TROJANTRACK GIRDER, FOR USE WITH
ELECTRIC OR AIR HOISTS ON DOUBLE GIRDER TROLLEYS.

586.10.000 — 18' to 38' SPANS



586.10.000 — 40' to 56' SPANS



ACCO Material Handling Solutions
76 Acco Drive, Box 792, York, PA 17405-0792
717-741-4863, 800-967-7333, FAX 800-715-8897
E-mail: info@accomhs.com www.accomhs.com

© 2007 FKI Industries Inc.
Printed In USA



LOUDEN® PRODUCTS - SECTION 500
DOUBLE GIRDER, STEEL WHEEL
MULTIPLE DRIVE CRANES

586-11
 Issued 9-7-01

DOUBLE GIRDER, STEEL WHEEL MULTIPLE DRIVE CRANES
TO OPERATE ON TWO RUNWAYS OF 604 SUPERTRACK
GIRDER OR 605 TROJANTRACK GIRDER, FOR USE WITH
ELECTRIC OR AIR HOISTS ON DOUBLE GIRDER TROLLEYS.

Max. Span Ft.	Bridge Girder Required	Crane Weight (Lbs.)	Motor H.P.		Overhang					Crane Trucks		Wheel Load Per Pair (2)
			Speed (F.P.M.)		In. Std.	In. Min.	In. Max.	505.7824 Latch	505.7830 Latch	No. Wheels	Capacity (Max.)	
			75	125								
Catalog No. 586.15003			15000 Lbs. Capacity					23650 Lbs. Design Load (1)				
18	604.1435	5044	1/2	1/2	12	9	18	N.A.	16	16	40000	3272
20	604.1435	5240	1/2	1/2	12	9	18	N.A.	16	16	40000	3285
22	604.1538	5642	1/2	1/2	12	9	18	N.A.	16	16	40000	3309
24	604.1846	6228	1/2	1/2	12	9	18	N.A.	16	16	40000	3346
26	604.1846	6468	1/2	1/2	12	9	18	N.A.	16	16	40000	3361
28	604.1846	6708	1/2	1/2	12	9	18	N.A.	16	16	40000	3376
30	604.1846	6948	1/2	1/2	12	9	18	N.A.	16	16	40000	3391
32	604.2153	7688	1/2	1/2	12	9	18	N.A.	16	16	40000	3437
34	604.2153	7956	1/2	1/2	12	9	18	N.A.	16	16	40000	3454
36	604.2153	8224	1/2	1/2	12	9	18	N.A.	16	16	40000	3471
38	604.2153	8492	1/2	1/2	12	9	18	N.A.	16	16	40000	3487
40	605.2166	9956	1/2	1/2	12	9	18	N.A.	16	16	40000	3579
42	605.2166	10276	1/2	1/2	12	9	18	N.A.	16	16	40000	3595
44	605.2474	11344	1/2	1/2	12	9	18	N.A.	16	16	40000	3666
46	605.2474	11696	1/2	1/2	12	9	18	N.A.	16	16	40000	3688
48	605.2474	12048	1/2	1/2	12	9	18	N.A.	16	16	40000	3710
50	605.2474	12400	1/2	1/2	12	9	18	N.A.	16	16	40000	3732
52	605.2785	13940	1/2	1	12	9	18	N.A.	16	16	40000	3828
54	605.2785	14336	1/2	1	12	9	18	N.A.	16	16	40000	3853
56	605.3089	15180	1/2	1	12	9	18	N.A.	16	16	40000	3905

NOTES:

- Design load = Live Load, plus 15% live load for impact, plus 6,400 lbs. for hoist and trolley.
- Calculated for this crane with specified design load.
- Maximum permissible wheel load on 603 SuperTrack and 604 SuperTrack Girder is 2,500 Lbs. (5,000 Lbs. per two-wheel trolley). For 605 TrojanTrack Girder the limitation is 3,750 Lbs. (7,500 Lbs. per two-wheel trolley) when transferring through 505.7830 latch; 5,000 Lbs. (10,000 lbs. per two wheel trolley) when captive on bridge, or when used on Super-TrojanTrackRunways. (Super-TrojanTrack requires .75 in. min. thickness of top flange, .4375 in. min. thickness of web, and splices must be welded rather than bolted.)
- Motor H.P. shown is for each motor. A minimum of 25% of trolleys must be driven. Example: Cranes with 4-wheel or 8-wheel end trucks use two motor-drives. Cranes with 16-wheel end trucks use four motor-drives.
- Speeds shown are based on using 1800 R.P.M. motors. Standard 2-speed motors are 1800/600 R.P.M.
- Available non-standard speeds are: 50, 100, 150 F.P.M.
- All wheels 4½" Tread Diameter
- Weights shown are based on single speed drive and controls, flat-wire festoon tagline bridge electrification, and 12" overhang each end of bridge.

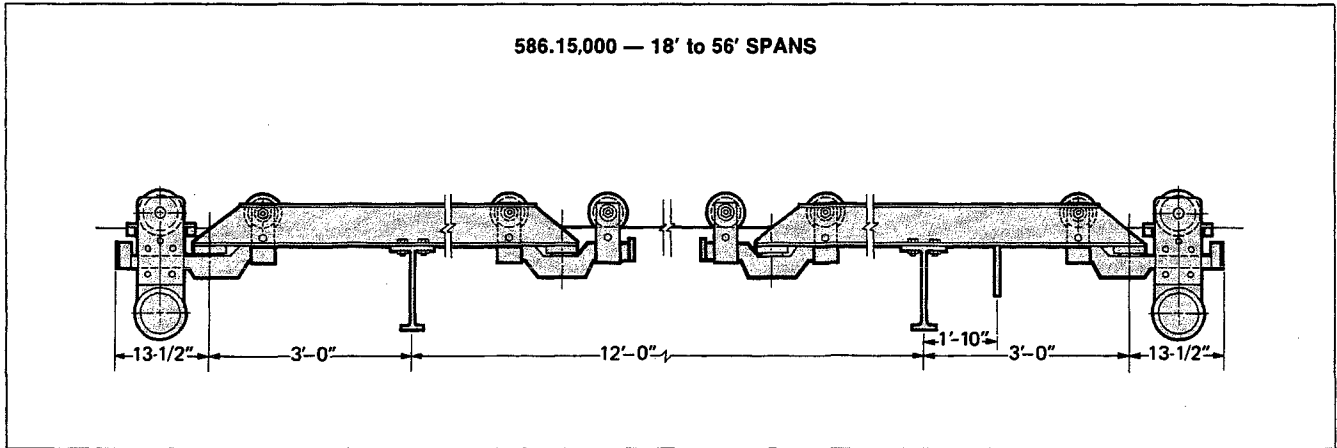
WARNING: Equipment described herein is not designed for and should not be used for lifting, supporting, or transporting humans. Use of the equipment for this purpose can result in serious bodily injury and/or property damage.



LOUDEN® PRODUCTS - SECTION 500
DOUBLE GIRDER, STEEL WHEEL
MULTIPLE DRIVE CRANES

586-12
Issued 9-7-01

**DOUBLE GIRDER, STEEL WHEEL MULTIPLE DRIVE CRANES
TO OPERATE ON TWO RUNWAYS OF 604 SUPERTRACK
GIRDER OR 605 TROJANTRACK GIRDER, FOR USE WITH
ELECTRIC OR AIR HOISTS ON DOUBLE GIRDER TROLLEYS.**



ACCO Material Handling Solutions
76 Acco Drive, Box 792, York, PA 17405-0792
717-741-4863, 800-967-7333, FAX 800-715-8897
E-mail: info@accomhs.com www.accomhs.com

© 2007 FKI Industries Inc.
Printed In USA



LOUDEN® PRODUCTS - SECTION 500
DOUBLE GIRDER, STEEL WHEEL
MULTIPLE DRIVE CRANES

586-13
 Issued 9-7-01

DOUBLE GIRDER, STEEL WHEEL MULTIPLE DRIVE CRANES
TO OPERATE ON TWO RUNWAYS OF 604 SUPERTRACK
GIRDER OR 605 TROJANTRACK GIRDER, FOR USE WITH
ELECTRIC OR AIR HOISTS ON DOUBLE GIRDER TROLLEYS.

Max. Span Ft.	Bridge Girder Required	Crane Weight (Lbs.)	Motor H.P.		Overhang					Crane Trucks		Wheel Load Per Pair (2)
			Speed (F.P.M.)		In. Std.	In. Min.	In. Max.	505.7824 Latch	505.7830 Latch	No. Wheels	Capacity (Max.)	
			75	125								
Catalog No. 586.20003			20000 Lbs. Capacity					29700 Lbs. Design Load (1)				
18	604.1538	5158	1/2	1/2	12	9	18	N.A.	16	16	40000	4035
20	604.1846	5748	1/2	1/2	12	9	18	N.A.	16	16	40000	4072
22	604.1846	5988	1/2	1/2	12	9	18	N.A.	16	16	40000	4087
24	604.1846	6228	1/2	1/2	12	9	18	N.A.	16	16	40000	4102
26	604.2153	6860	1/2	1/2	12	9	18	N.A.	16	16	40000	4142
28	604.2153	7128	1/2	1	12	9	18	N.A.	16	16	40000	4158
30	604.2153	7396	1/2	1	12	9	18	N.A.	16	16	40000	4175
32	605.2166	8676	1/2	1	12	9	18	N.A.	16	16	40000	4255
34	605.2166	8996	1/2	1	12	9	18	N.A.	16	16	40000	4275
36	605.2166	9316	1/2	1	12	9	18	N.A.	16	16	40000	4295
38	605.2166	9636	1/2	1	12	9	18	N.A.	16	16	40000	4315
40	605.2166	9956	1/2	1	12	9	18	N.A.	16	16	40000	4335
42	605.2474	10992	1/2	1	12	9	18	N.A.	16	16	40000	4400
44	605.2474	11344	1/2	1	12	9	18	N.A.	16	16	40000	4422
46	605.2474	11696	1/2	1	12	9	18	N.A.	16	16	40000	4444
48	605.2785	13148	1/2	1	12	9	18	N.A.	16	16	40000	4535
50	605.2785	13544	1/2	1	12	9	18	N.A.	16	16	40000	4559
52	605.2785	13940	1/2	1	12	9	18	N.A.	16	16	40000	4584
54	605.3089	14768	1/2	1	12	9	18	N.A.	16	16	40000	4636
56	605.3089	15180	1/2	1	12	9	18	N.A.	16	16	40000	4662

NOTES:

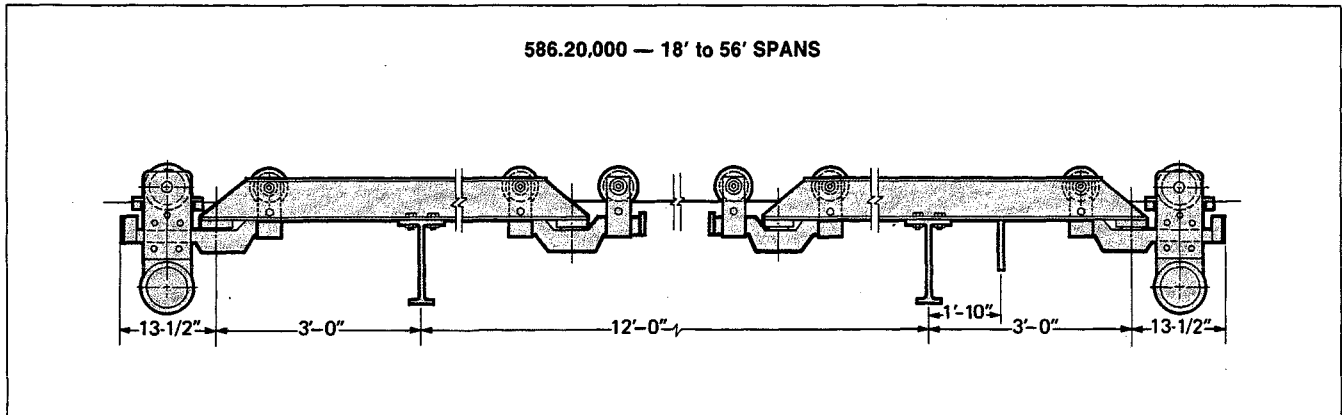
- Design load = Live Load, plus 15% live load for impact, plus 6,700 lbs. for hoist and trolley.
- Calculated for this crane with specified design load.
- Maximum permissible wheel load on 603 SuperTrack and 604 SuperTrack Girder is 2,500 Lbs. (5,000 Lbs. per two-wheel trolley). For 605 TrojanTrack Girder the limitation is 3,750 Lbs. (7,500 Lbs. per two-wheel trolley) when transferring through 505.7830 latch; 5,000 Lbs. (10,000 lbs. per two wheel trolley) when captive on bridge, or when used on Super-TrojanTrackRunways. (Super-TrojanTrack requires .75 in. min. thickness of top flange, .4375 in. min. thickness of web, and splices must be welded rather than bolted.)
- Motor H.P. shown is for each motor. A minimum of 25% of trolleys must be driven. Example: Cranes with 4-wheel or 8-wheel end trucks use two motor-drives. Cranes with 16-wheel end trucks use four motor-drives.
- Speeds shown are based on using 1800 R.P.M. motors. Standard 2-speed motors are 1800/600 R.P.M.
- Available non-standard speeds are: 50, 100, 150 F.P.M.
- All wheels 4½" Tread Diameter
- Weights shown are based on single speed drive and controls, flat-wire festoon tagline bridge electrification, and 12" overhang each end of bridge.



Louden® PRODUCTS - SECTION 500
DOUBLE GIRDER, STEEL WHEEL
MULTIPLE DRIVE CRANES

586-14
Issued 9-7-01

**DOUBLE GIRDER, STEEL WHEEL MULTIPLE DRIVE CRANES
TO OPERATE ON TWO RUNWAYS OF 604 SUPERTRACK
GIRDER OR 605 TROJANTRACK GIRDER, FOR USE WITH
ELECTRIC OR AIR HOISTS ON DOUBLE GIRDER TROLLEYS.**



ACCO Material Handling Solutions
76 Acco Drive, Box 792, York, PA 17405-0792
717-741-4863, 800-967-7333, FAX 800-715-8897
E-mail: info@accomhs.com www.accomhs.com

© 2007 FKI Industries Inc.
Printed In USA