



LOUDEN® SWITCHES
FOR USE WITH 2" FLANGE SUPERTRACK™ MONORAIL SYSTEMS

702-7
 Issued 9-7-01

Non-Electrified SuperTrack Sliding Switches

Louden non-electrified SuperTrack sliding switches are available in three configurations to adapt to most monorail layouts. These medium duty switches are available as two-way, three-way, and wye switches. Sliding switches are used in monorail systems where close switch grouping is required.

Two-way switches are used when a branch line monorail connects with the main line of track at an angle. The switch may be furnished for either right or left hand operation.

Wye switches are used where one main line monorail track branches off at angles on both sides of the switch.

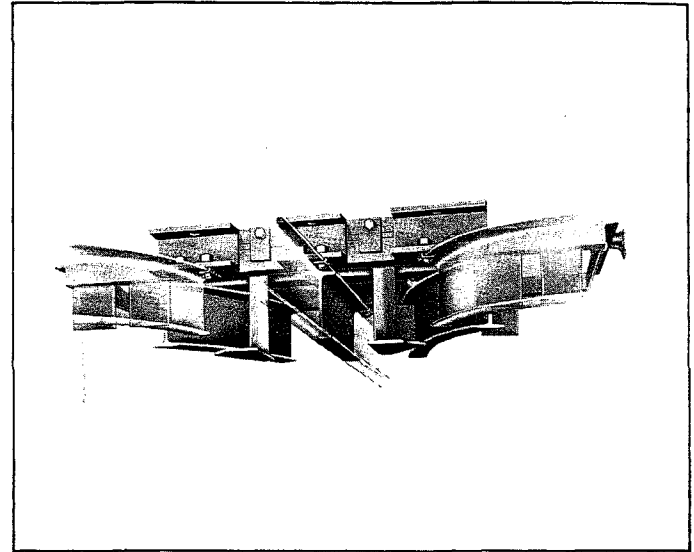
Three-way switches are used where there are two spur lines branching off at angles on both sides of the main monorail track.

The frame for these switches consists of welded heavy structural steel members with the carriage mounted on rollers for smooth, easy operation. Heavy structural steel baffles are welded to the switch carriage to protect open tracks. Incoming tracks are bolted to the switch to insure perfect alignment.

Fifteen foot pull ropes are furnished as standard for switch operation. The switch should be connected directly to the superstructure.

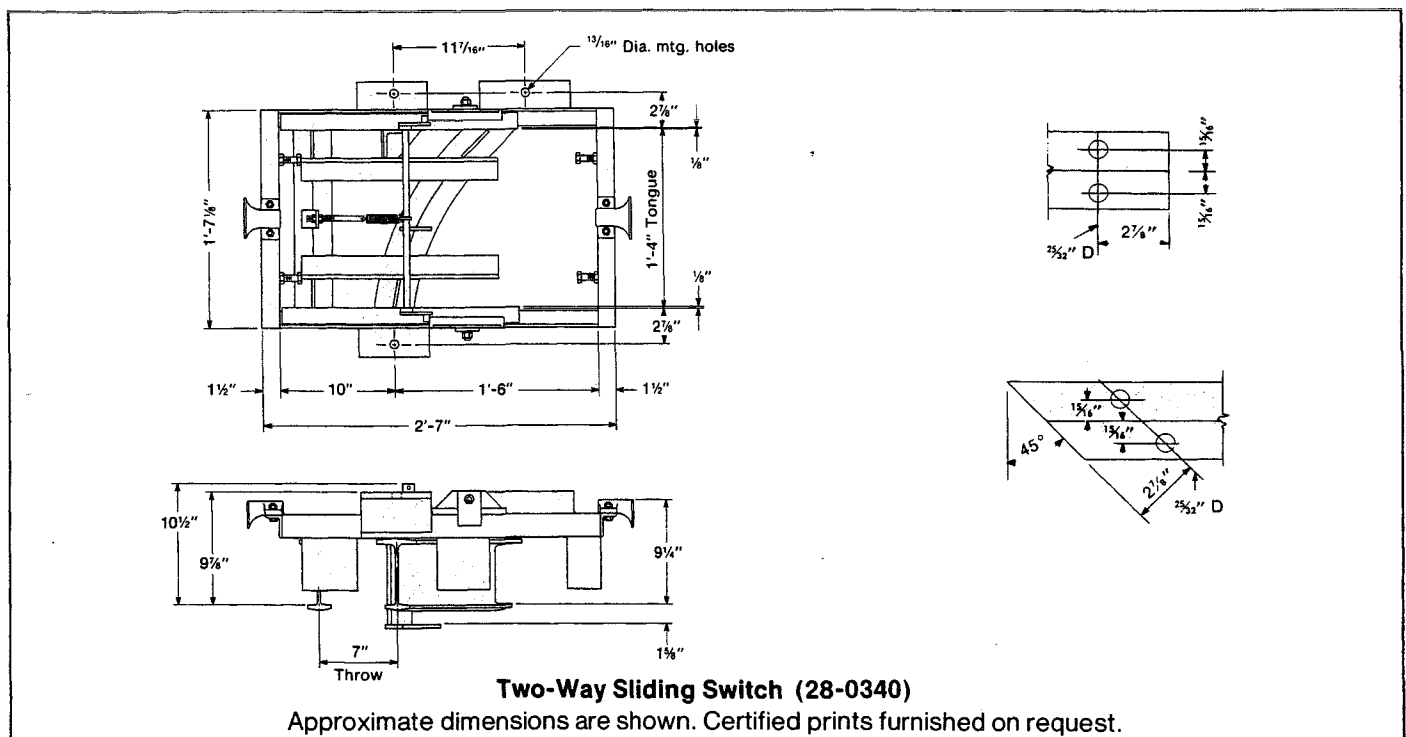
These switches are not to be used with *MotoVeyors*.

Switch Capacity: 3,000 pounds



Manually Operated

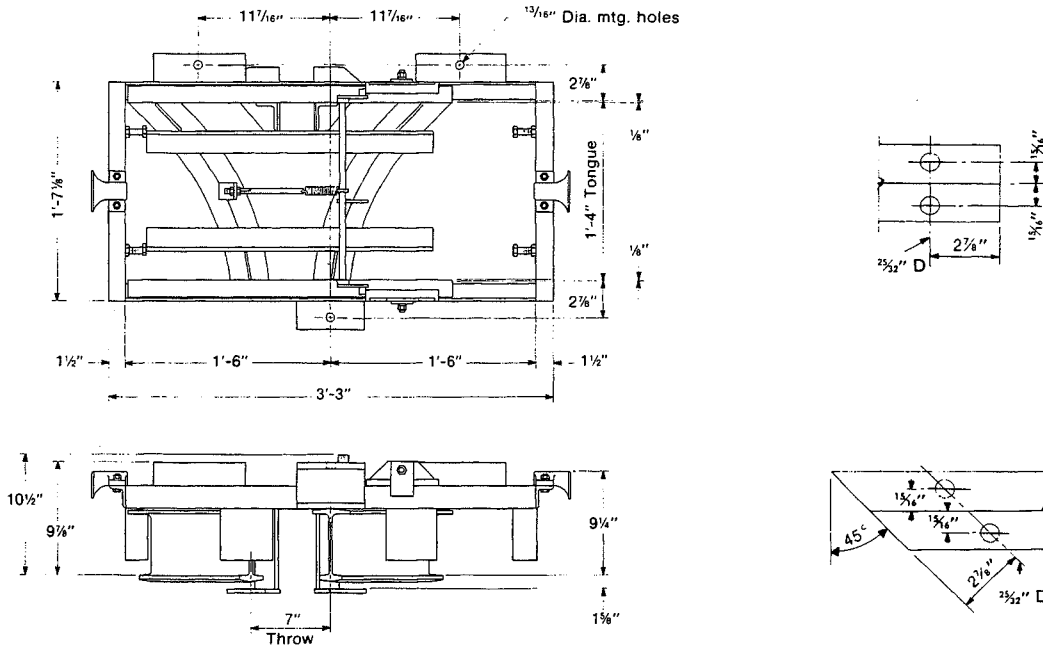
Right Hand	702.7011R (28-0340) 135 lbs.
Left Hand	702.7011L (28-0364) 135 lbs.
Wye	702.7012 (28-0365) 156 lbs.
Three-Way	702.7013 (28-0366) 210 lbs.





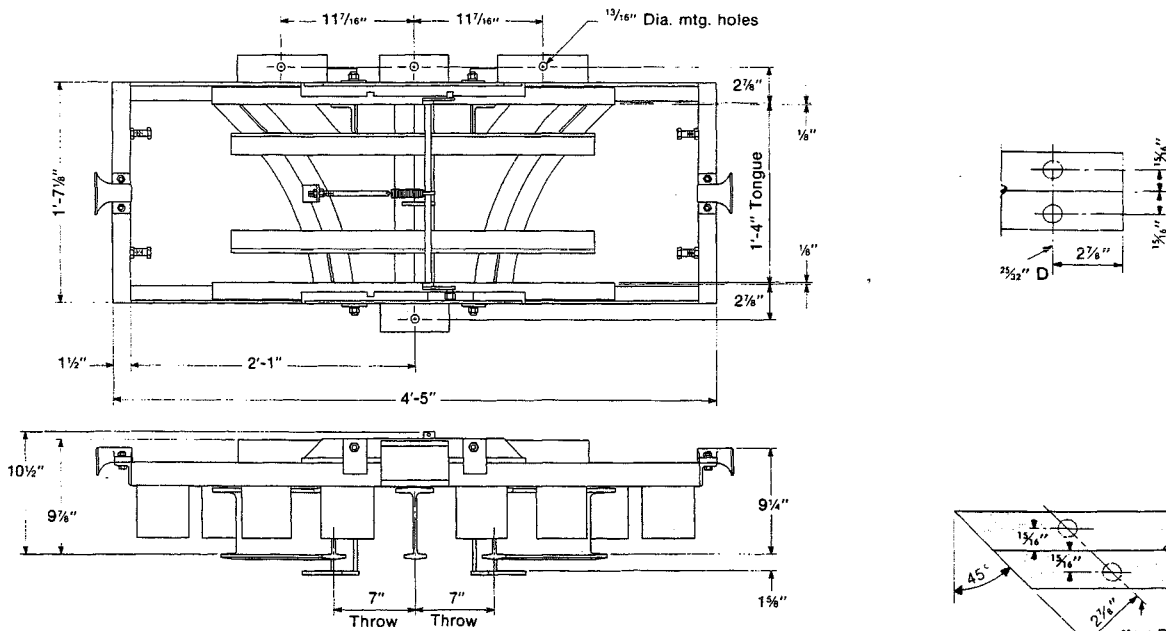
LOUDEN® SWITCHES
FOR USE WITH 2" FLANGE SUPERTRACK™ MONORAIL SYSTEMS

702-8
 Issued 9-7-01



Wye Sliding Switch (28-0365)

Approximate dimensions are shown. Certified prints furnished on request.



Three-Way Sliding Switch (28-0366)

Approximate dimensions are shown. Certified prints furnished on request.



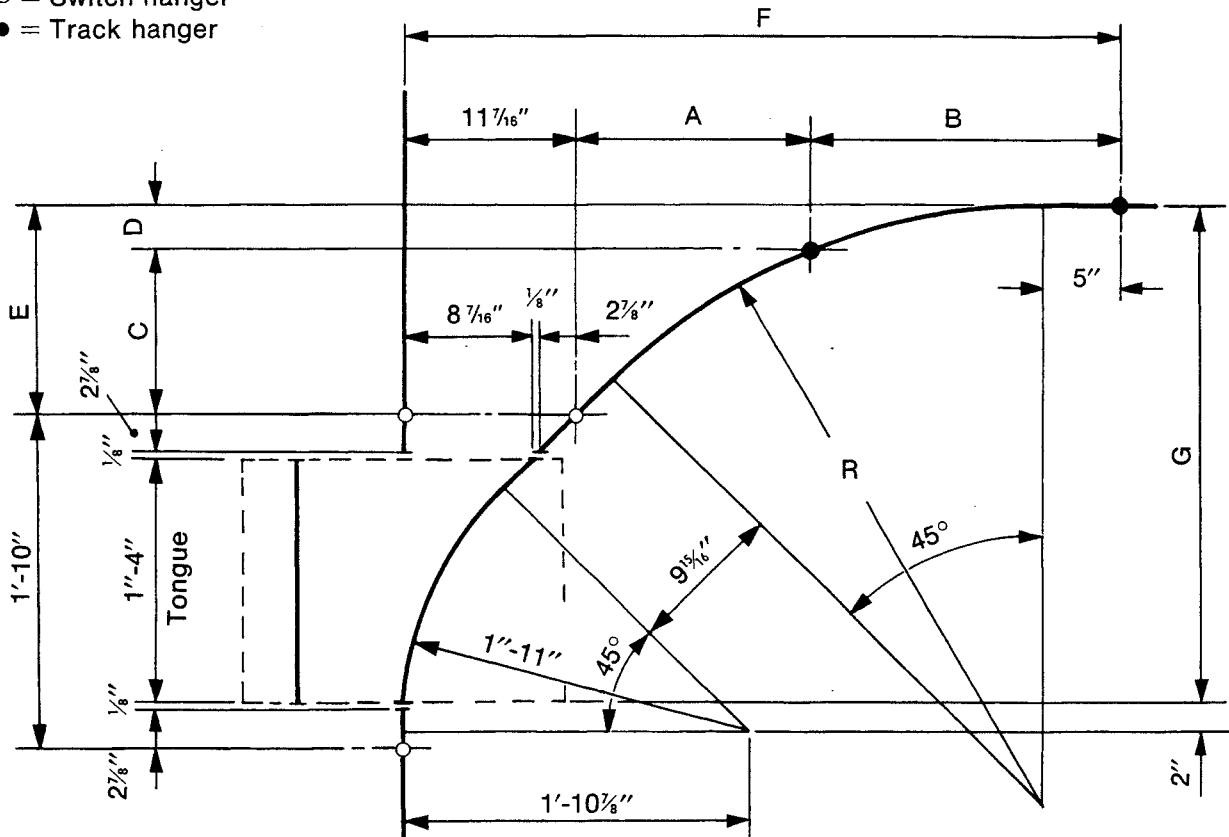
ACCO Material Handling Solutions
 76 Acco Drive, Box 792, York, PA 17405-0792
 717-741-4863, 800-967-7333, FAX 800-715-8897
 E-mail: info@accomhs.com www.accomhs.com

© 2007 FKI Industries Inc.
 Printed in USA



Curve and Dimensional Layout Data

- = Switch hanger
- = Track hanger



Curve and Hanger Locations for Non-electrified SUPERTRACK™ Patented Track Sliding Switches.

Cat. No.	Part No.	R	A	B	C	D	E	F	G
602.5093R 602.5093L	28-0247 28-0244	3'-4"	1'-3 1/4"	1'-8 5/16"	0'-10 3/8"	3 1/8"	1'-1 15/16"	3'-11"	2'-8 15/16"
602.5094R 602.5094L	28-0245 30-0665	4'-0"	1'-5 13/16"	1'-11 1/8"	1'-0 1/16"	3 5/8"	1'-4 3/8"	4'-4 3/8"	2'-11 1/8"
602.5095R 602.5095L	30-0666 30-0667	5'-0"	1'-9 3/4"	2'-3 3/8"	1'-3 1/4"	4 1/8"	1'-7 1/16"	5'-1 1/8"	3'-2 13/16"
602.5096R 602.5096L	30-0668 30-0669	6'-0"	2'-1 5/8"	2'-8 3/8"	1'-5 3/8"	5 1/2"	1'-11 3/8"	5'-9 5/8"	3'-6 3/8"
602.5097R 602.5097L	30-0670 30-0671	7'-0"	2'-5 1/2"	3'-1 1/8"	1'-8 1/2"	6 3/8"	2'-2 7/8"	6'-6 3/8"	3'-9 7/8"
602.5098R 602.5098L	30-0672 30-0673	8'-0"	2'-9 3/8"	3'-5 3/4"	1'-11 1/8"	7 3/8"	2'-6 3/8"	7'-2 3/8"	4'-1 3/8"
602.5099R 602.5099L	30-0674 30-0675	10'-0"	3'-5 3/8"	4'-2 15/16"	2'-4 1/4"	9 3/8"	3'-1 3/8"	8'-7 3/8"	4'-8 3/8"

Approximate dimensions are shown. Certified prints furnished on request.



**LOUDEN® SWITCHES
FOR USE WITH 3.33" FLANGE SUPERTRACK™ MONORAIL SYSTEMS**

703-7
Issued 9-7-01

Non-Electrified SuperTrack Sliding Switches

Louden non-electrified SuperTrack sliding switches are available in three configurations to adapt to most monorail layouts. These medium duty switches are available as two-way, three-way, and wye switches. Sliding switches are used in monorail systems where close switch grouping is required.

Two-way switches are used when a branch line monorail connects with the main line of track at an angle. The switch may be furnished for either right or left hand operation.

Wye switches are used where one main line monorail track branches off at angles on both sides of the switch.

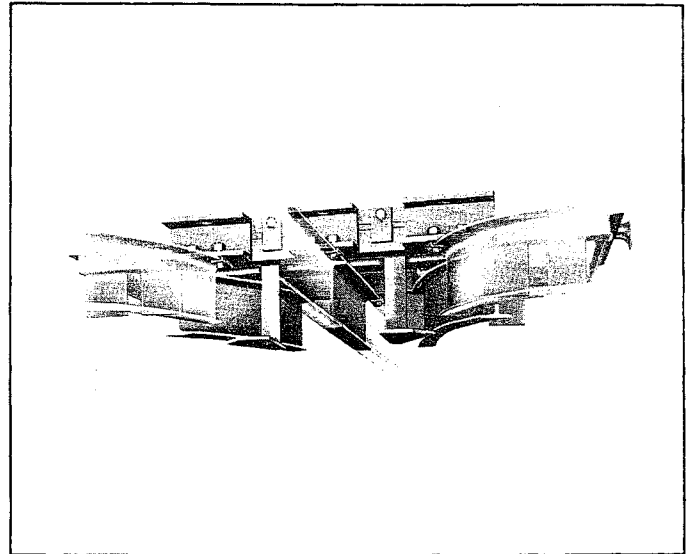
Three-way switches are used where there are two spur lines branching off at angles on both sides of the main monorail track.

The frame for these switches consists of welded heavy structural steel members with the carriage mounted on rollers for smooth, easy operation. Heavy structural steel baffles are welded to the switch carriage to protect open tracks. Incoming tracks are bolted to the switch to insure perfect alignment.

Fifteen foot pull ropes are furnished as standard for switch operation. The switch should be connected directly to the superstructure.

These switches are not to be used with *Moto Veyors*.

Switch Capacity: 5,000 pounds



Manually Operated

Right Hand	703.7011R (28-0377) 135 lbs.
Left Hand	703.7011L (28-0378) 135 lbs.
Wye	703.7012 (28-0379) 156 lbs.
Three-Way	703.7013 (28-0380) 210 lbs.

