



**LOUDEN® SWITCHES  
FOR USE WITH 2" FLANGE SUPERTRACK™ MONORAIL SYSTEMS**

702-1  
Issued 9-7-01

**Tongue Switch, Non-electrified**

Louden SuperTrack tongue switches are designed to permit one switch to perform four different operations. With only a minimum modification to the operating mechanism, the basic switch may be used as a right-hand, left-hand, wye or three-way tongue switch on non-electrified SuperTrack monorail systems. Conversion to right-hand, left-hand, or three-way switches may be made with no additional parts. Conversion to wye type switches will require the addition of a lock-out and baffle weldment, part number 30-0029.

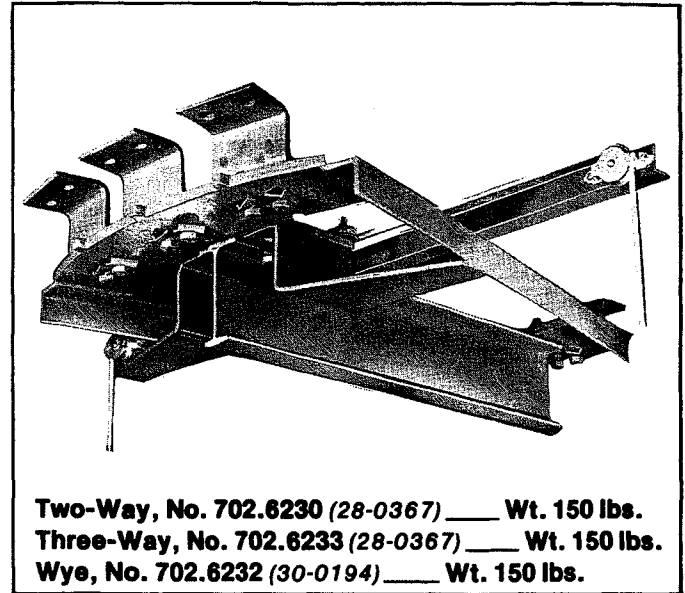
When used as either 702.6230 two-way switch or 702.6233 three-way switch, and exclusively with 402.375 or 402.750 series trolleys, Part No. 260003-B must be installed during erection of the switch. Otherwise Part No. 260003-B is not used.

This switch is a complete unit constructed of formed steel with a Louden SuperTrack tongue. For better alignment of the track flange, all tracks are fastened securely to the switch frame. This also prevents any creeping of the track. For a smoother, stronger switch connection, the lead-in track at the pivot end is machined concave, while the switch tongue is machined convex. Open tracks are guarded by a rugged mechanical baffle.

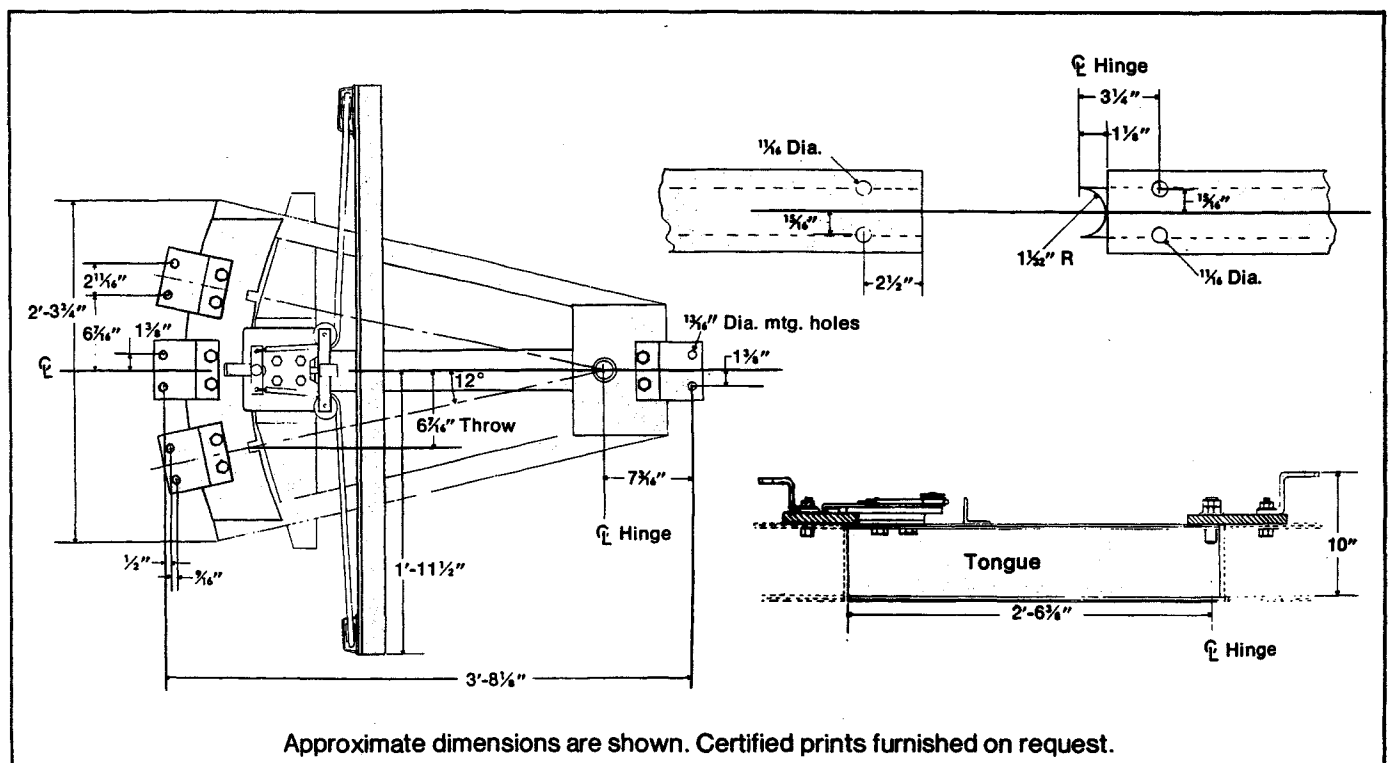
Fifteen foot pull ropes are supplied as standard for operation of the switch operating mechanism. The switch should be connected directly to the superstructure.

Monorail switches are not designed to operate under load, and must be latched into one of the operating positions when left unattended.

**Switch Capacity: 3,000 pounds.**



**WARNING:** Equipment described herein is not designed for and should not be used for lifting, supporting or transporting humans. Use of this equipment for this purpose can result in serious bodily injury and/or property damage. Modifications to upgrade, rerate or otherwise alter the equipment shall be authorized only by the original equipment manufacturer or qualified professional engineer.



**LOUDEN**®

**SWITCHES  
FOR USE WITH 3.33" FLANGE  
SUPERTRACK™ MONORAIL SYSTEMS**

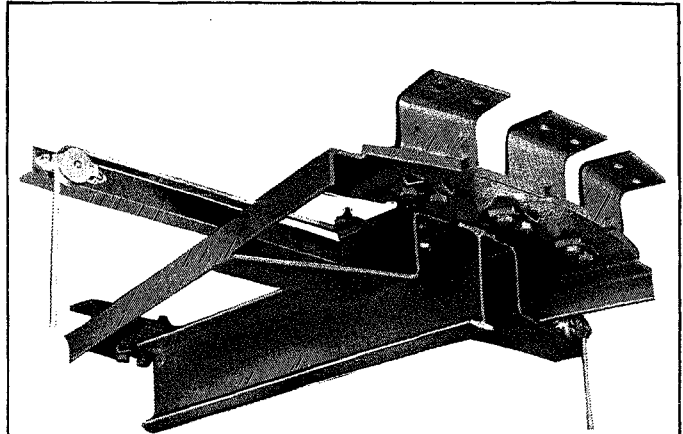
**Tongue Switch, Non-electrified**

Louden SuperTrack tongue switches are designed to permit one switch to perform four different operations. With only a minimum modification to the operating mechanism, the basic switch may be used as a right-hand, left-hand, wye or three-way tongue switch on non-electrified SuperTrack monorail systems. Conversion to right-hand, left-hand, or three-way switches may be made with no additional parts. Conversion to wye type switches will require the addition of a lock-out and baffle weldment, part number 30-0029.

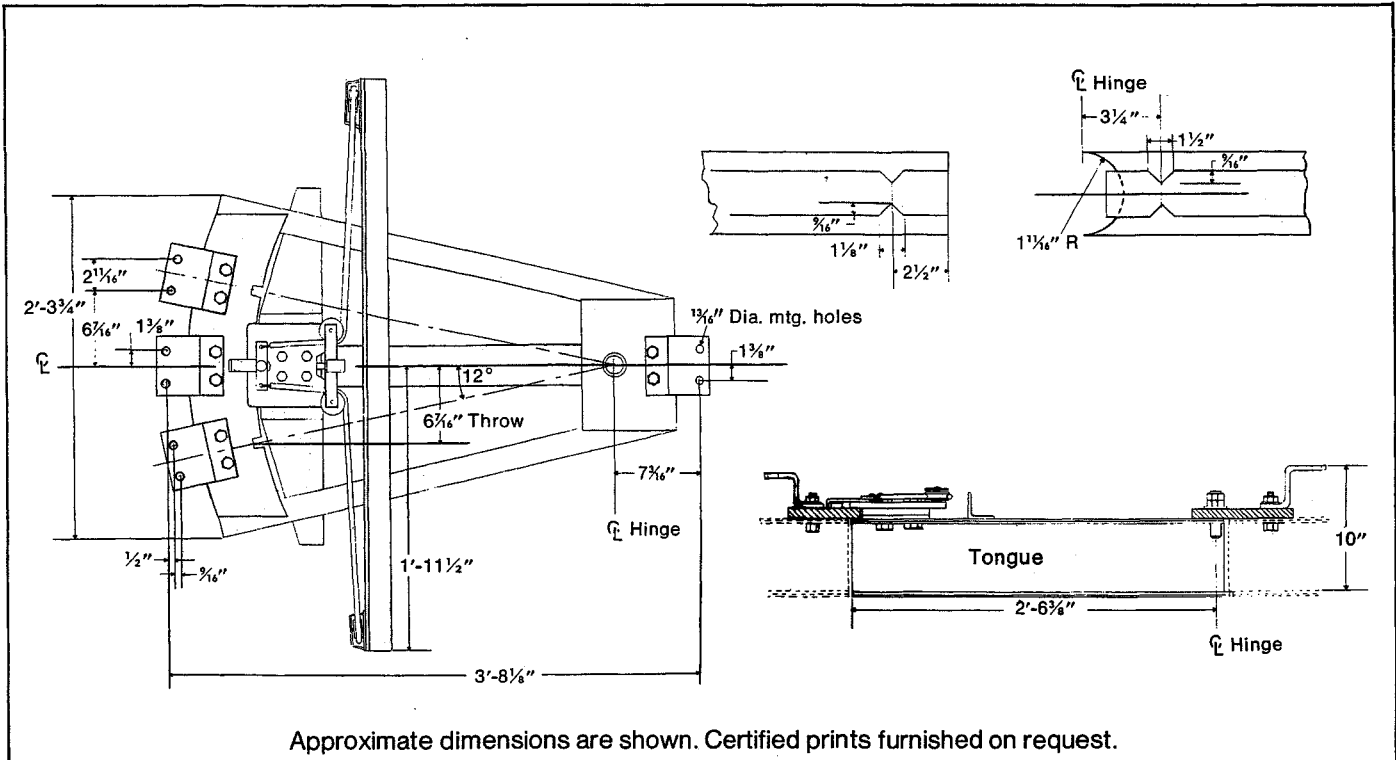
This switch is a complete unit constructed of formed steel with a Louden SuperTrack tongue. For better alignment of the track flange, all tracks are fastened securely to the switch frame. This also prevents any creeping of the track. For a smoother, stronger switch connection, the lead-in track at the pivot end is machined concave, while the switch tongue is machined convex. Open tracks are guarded by a rugged mechanical baffle.

Fifteen foot pull ropes are supplied as standard for operation of the switch operating mechanism. The switch should be connected directly to the superstructure.

**Switch Capacity: 3,000 pounds.**



**Two-Way, No. 703.6330 (28-0385) \_\_\_\_\_ Wt. 150 lbs.  
Three-Way, No. 703.6333 (28-0385) \_\_\_\_\_ Wt. 150 lbs.  
Wye, No. 703.6332 (30-0189) \_\_\_\_\_ Wt. 150 lbs.**



Approximate dimensions are shown. Certified prints furnished on request.