



IMPROVED

HAND EQUIPMENT YOU CAN COUNT ON

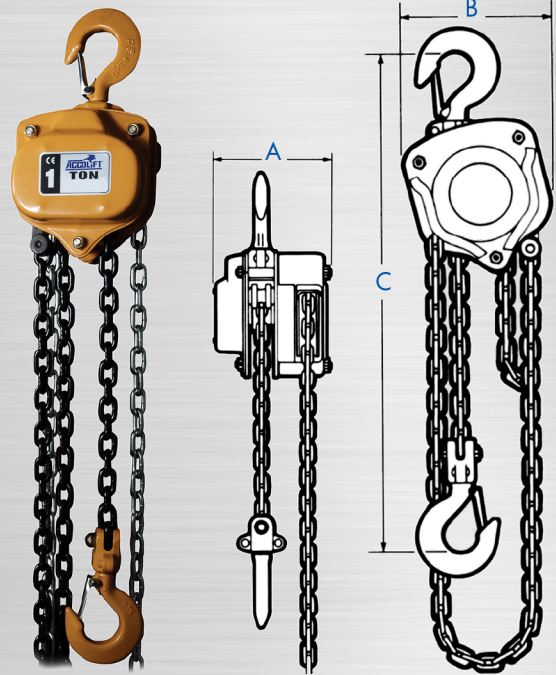
LARGER CAPACITIES NOW AVAILABLE / OVERLOAD CLUTCH FOR SAFETY

HAND CHAIN HOISTS

ACCOLIFT® portable, lightweight hand chain hoists are compact and provide a dependable working tool for: industrial maintenance, construction sites, machine shops and production situations where parts need to be positioned accurately but infrequently.

Construction features include drop forged hooks, mechanical load brake, overload clutch, electric welded hand chain, load sheaves, electric welded load chain, fabricated rolled steel plate and protective steel covers or easy removal.

For more information, visit our website
www.accomhs.com or call 800-967-7333.



Model Number	Cap. (Tons)	Std. Lift (ft.)	Hand Chain Drop (ft.)	Pull to Lift Full Load (lbs.)	Chain Overhaul Ratio	Dimensions (in.)			Load Chain Diameter (in.) X Chain Fall Lines	Weight for Add'l 1ft. of lift (lbs.)	Net Weight (lbs.)
						A	B	C			
1360210	1/2	10	8	53	40:1	5.8	5.7	12.2	.248 x (1)	0.6	25
1360220	1/2	20	18	53	40:1	5.8	5.7	12.2	.248 x (1)	0.6	31
1360230	1	10	8	73	40:1	5.8	5.7	13.0	.248 x (1)	0.6	26
1360240	1	20	18	73	40:1	5.8	5.7	13.0	.248 x (1)	0.6	32
1360250	2	10	8	75	78:1	7.2	7.4	15.0	.311 x (1)	1.0	48
1360260	2	20	18	75	78:1	7.2	7.4	15.0	.311 x (1)	1.0	58
1360270	3	10	8	77	120:1	5.8	8.1	18.9	.280 x (2)	1.5	51
1360280	3	20	18	77	120:1	5.8	8.1	18.9	.280 x (2)	1.5	66
1360290	5	10	8	86	186:1	7.3	10.1	24.4	.354 x (2)	2.4	90
1360300	5	20	18	86	186:1	7.3	10.1	24.4	.354 x (2)	2.4	114
1360310	7 1/2	10	8	88	248:1	7.3	14.4	28.3	.354 x (3)	3.6	116
1360320	7 1/2	20	18	88	248:1	7.3	14.4	28.3	.354 x (3)	3.6	152
1360330	10	10	8	90	372:1	7.3	14.4	32.3	.354 x (4)	4.8	202
1360340	10	20	18	90	372:1	7.3	14.4	32.3	.354 x (4)	4.8	250
1360350	15	10	8	90 X (2)	248:1 (x2)	8.3	29.3	33.5	.354 x (6)	7.2	320
1360360	15	20	18	90 X (2)	248:1 (x2)	8.3	29.3	33.5	.354 x (6)	7.2	392
1360370	20	10	8	90 X (2)	372:1 (x2)	8.3	34.4	38.2	.354 x (8)	9.6	427
1360380	20	20	18	90 X (2)	372:1 (x2)	8.3	34.4	38.2	.354 x (8)	9.6	523



RAPID SHIP

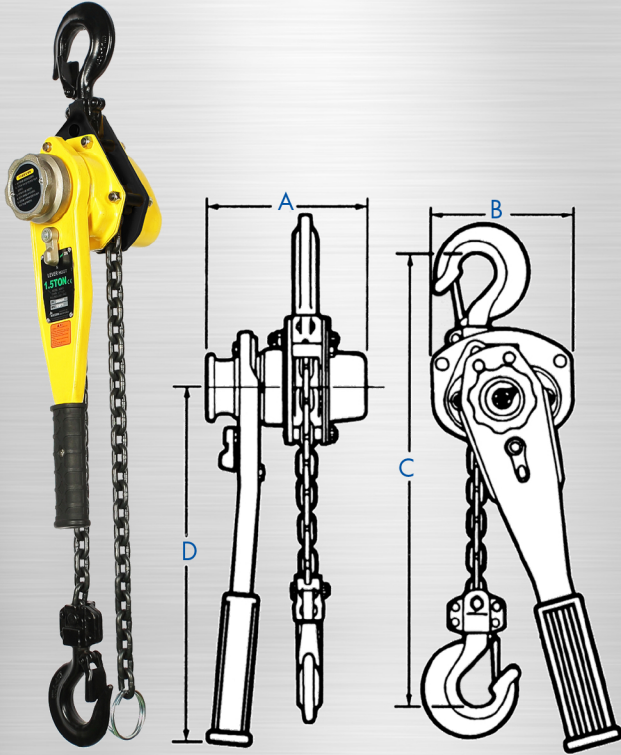
Same day or next day shipping available!

Call 1-800-568-5657 to order today!

RAPID SHIP 

Same day or next day shipping available! Call 1800-568-5657 to order today!

- ✓ **Improved** Operational Efficiency
- ✓ **Updated** Ergonomic Handle Design
- ✓ **Optional Overload Clutch** for Safety
- ✓ **Shipyard Hooks** NOW Available!



LEVER HOISTS

Lightweight, portable chain type lever operated puller. Increases a worker's efficiency in pulling, lifting, lowering, moving and skidding objects in industrial maintenance, construction and utility company applications. Minimal effort is required to move tons. The short handle and short stroke are designed to operate in tight places. Excellent for stretching cable and fencing, positioning machinery and building components.

Construction features include rugged, lightweight steel frame, load lever, cold forged and permanently lubricated gears, mechanical load brake, electric welded alloy steel load chain, load block and drop forged hooks.

For more information, visit our website www.accomhs.com or call 800-967-7333.

Model Number	Model Number with Overload	Cap. (Tons)	Std. Lift (ft.)	Pull to Lift Full Load (lbs.)	Dimensions (in.)				Load Chain Diameter (in.) X Chain Fall Lines	Weight for Add'l 1ft. of lift (lbs.)	Net Weight (lbs.)
					A	B	C	D			
1150410	1150410-OL	3/4	5	66 lb	6.1	4.8	13.0	10.8	.248 x (1)	14	0.6
1150420	1150420-OL	3/4	10	66 lb	6.1	4.8	13.0	10.8	.248 x (1)	14	0.6
1150430	1150430-OL	1 1/2	5	66 lb	6.6	5.6	14.9	15.2	.280 x (1)	21	0.8
1150440	1150440-OL	1 1/2	10	66 lb	6.6	5.6	14.9	15.2	.280 x (1)	21	0.8
1150450	1150450-OL	2	5	88 lb	6.6	5.6	15.5	15.2	.280 x (1)	24	1
1150460	1150460-OL	2	10	88 lb	6.6	5.6	15.5	15.2	.280 x (1)	24	1
1150470	1150470-OL	3	5	81 lb	7.9	6.8	18.3	15.2	.354 x (1)	35	1.2
1150480	1150480-OL	3	10	81 lb	7.9	6.8	18.3	15.2	.354 x (1)	35	1.2
1150490	1150490-OL	6	5	84 lb	7.9	9.5	13.7	15.2	.354 x (2)	59	2.4
1150500	1150500-OL	6	10	84 lb	7.9	9.5	13.7	15.2	.354 x (2)	59	2.4
1150510	1150510-OL	9	5	86 lb	7.9	13.7	30.5	15.2	.354 x (3)	90	3.6
1150520	1150520-OL	9	10	86 lb	7.9	13.7	30.5	15.2	.354 x (3)	90	3.6



To learn about all of our material handling solutions, visit us on the web at **www.accomhs.com** or call **800-967-7333!**

WE KEEP INDUSTRY MOVING