

*We Will Solve Your Mobility Problems*

**Nutting**®

Nutting has been the premier manufacturer of high quality trailers for a wide variety of industry applications for hauling and transporting goods since 1891.

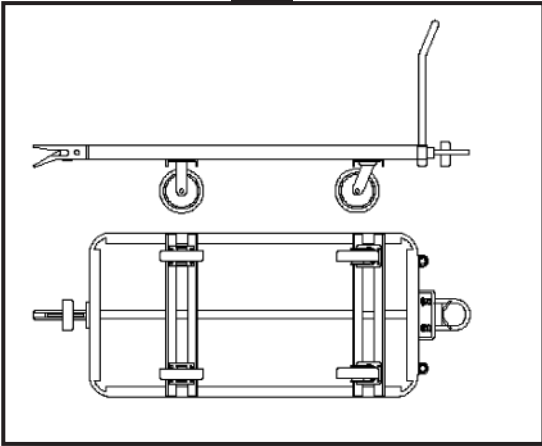
Our Trailers are the showcase of our product offering with QUAD-STEER (four-wheel steering) and DUAL-STEER (two-wheel steering) trailers utilizing four different configurations.

Our fabricating services include the usage of state-of-art equipment aimed at processing and producing at the highest and finest industry standards.

Our engineering services include specialized design expertise for custom-engineered products.



# CASTER STEER TRAILER



## *Series 52 Trailers*

*Load Capacities to 20,000 Lbs.*

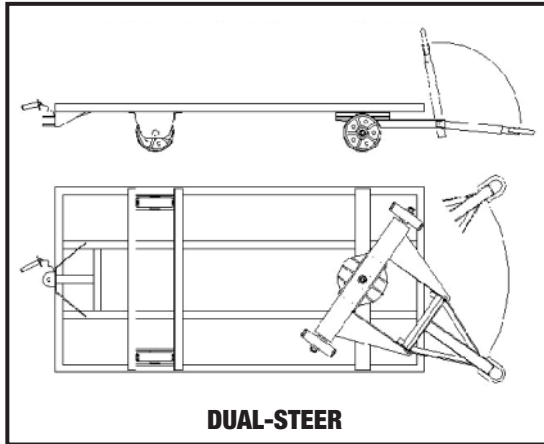
Caster steer trailers turn by swiveling on the front caster wheels. Two rigid casters are mounted in the back. The most popular of the four basic steer types, caster steer trailers have excellent trailing characteristics and are relatively easy to move manually. Corners are rounded for safety and to prevent interlocking on sharp turns.

Caster steer trailers are specially designed for use on good surfaces in:

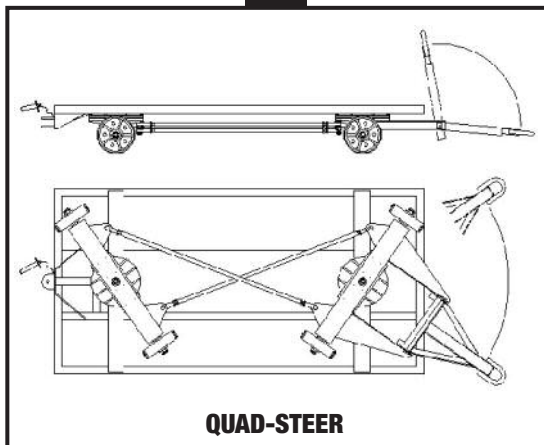
- Distribution Centers
- Warehouses
- Industrial Plants
- Terminals



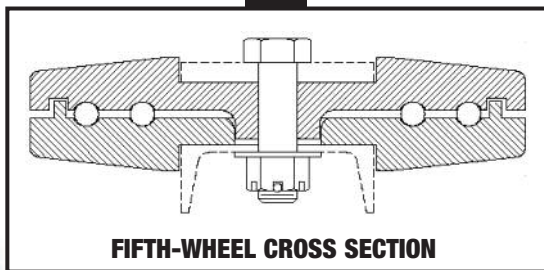
# FIFTH WHEEL STEER TRAILER



**DUAL-STEER**



**QUAD-STEER**



**FIFTH-WHEEL CROSS SECTION**



## *Series 54 Trailers*

### *Load Capacities to 2,000 Lbs. and Up*

Fifth wheel steer trailers turn by means of a 5<sup>th</sup> wheel (turntable) assembly utilizing a precision ball bearings for ease of maneuverability. To this assembly is attached a drawbar, which steers the trailer when coupled to the power unit or other trailers. Fifth wheel steer trailers have relatively low deck heights, and are recommended where load weights are above normal and service conditions are severe.

They are designed for:

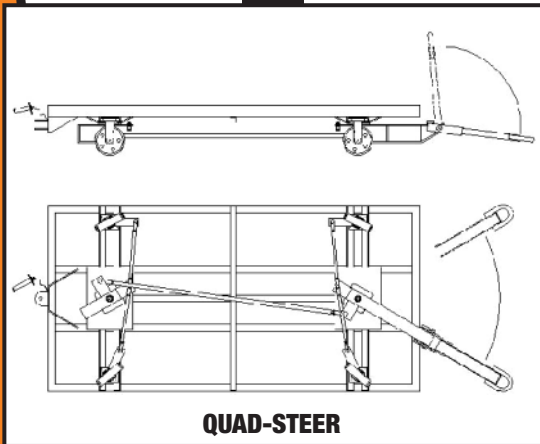
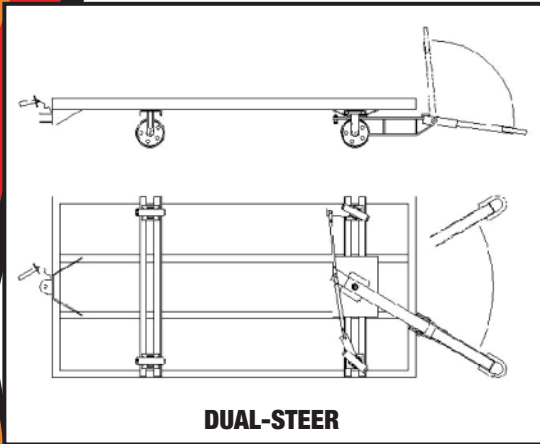
- Docks
- Distribution Centers
- Warehouses
- Plants and Terminals

*\*Medium-duty capacity illustrations shown.*





# LINK CASTER STEER TRAILER



## Series 53 Trailers

### Load Capacities to 2,000 Lbs. and Up

#### Link Caster Steering - Standard and Medium Duty

Link caster steer trailers are an economical alternative to automotive steering, providing the maximum in stability and maneuverability with capacities up to 10,000 lbs. Steering is controlled by a towing tongue, with linkage arms connected to specially constructed swivel caster assemblies. A connecting arm links the front and rear steering assemblies for the four wheel steer version.

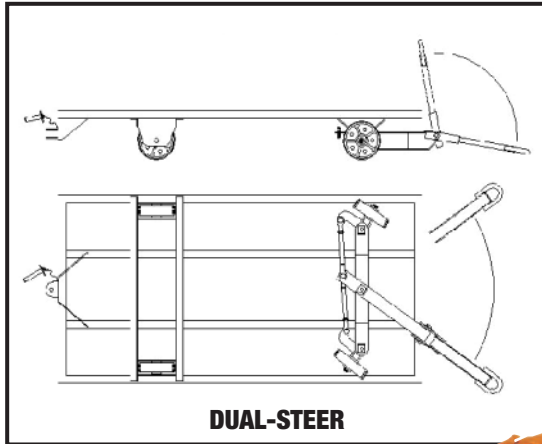
#### Link Caster Steering - Heavy Duty

Heavy duty link caster steer trailers are primarily used in extremely heavy applications where stability and maneuverability is a major consideration. Steering is accomplished through the use of linkage arms connected to machined steel fifth wheel plates which act as heavy-duty swivel casters activated by the towing tongue. The four wheel steer version uses a connecting arm to link the front steering assembly to rear assembly.

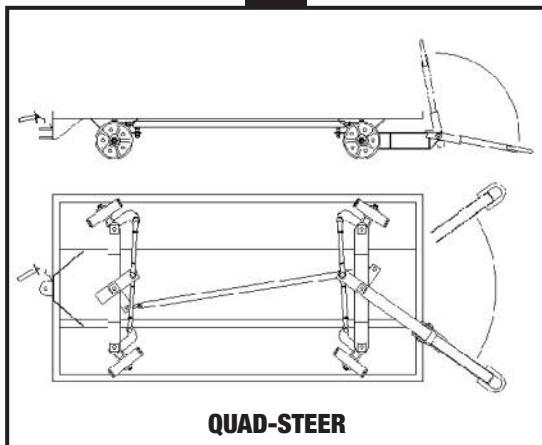
Link steer trailers are designed for use on smooth floors in industrial plants, mills, warehouses and other applications.



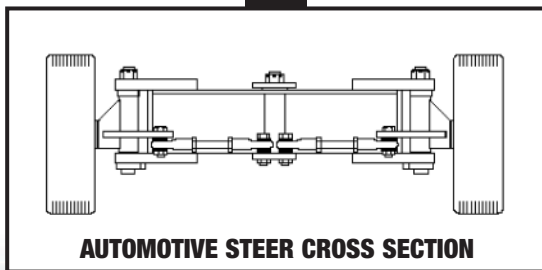
# AUTOMOTIVE STEER TRAILER (knuckle steer)



**DUAL-STEER**



**QUAD-STEER**



**AUTOMOTIVE STEER CROSS SECTION**

## *Series 55 Trailers*

*Load Capacities to 10,000 Lbs.*

This type of steering trailer is often referred to as "Safety Type, or Knuckle Steer" offers two distinct advantages... equal four-wheel load support at all times for load stability as well as exceptionally good trailing. The Automotive Steer arrangement provides easy steering and accurate trailing, plus 4-point, safe load support on sharper turns.

They are most often designed for hard surface roads or good floors in:

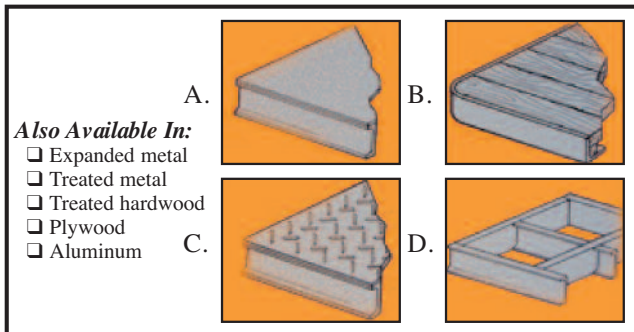
- Warehouses
- Wharves
- Piers
- Industrial Plants and Mills



# PRODUCT OPTIONS

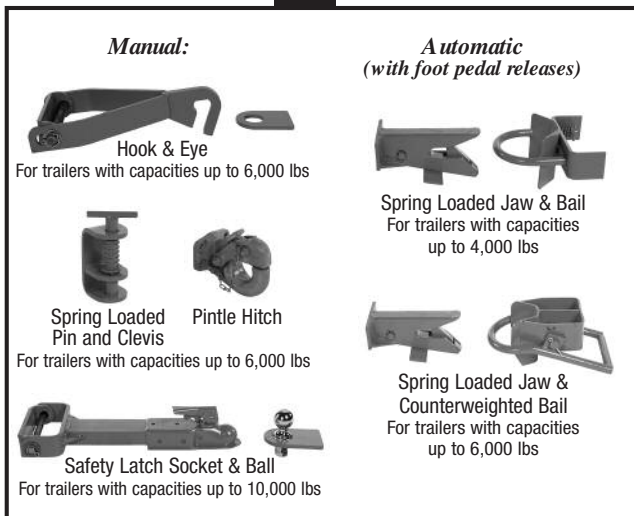
## Standard Product Features:

- Robust steel frame construction
- Heavy-duty steel construction axle
- Strong Knuckles, king pins and spindles
- Cushioned mold-on rubber wheels
- Durable smooth plate steel deck
- Excellent load stability attributes
- Front hinged drawbar loop tongue
- Rear drop pin & clevis hitch
- Quality paint finish



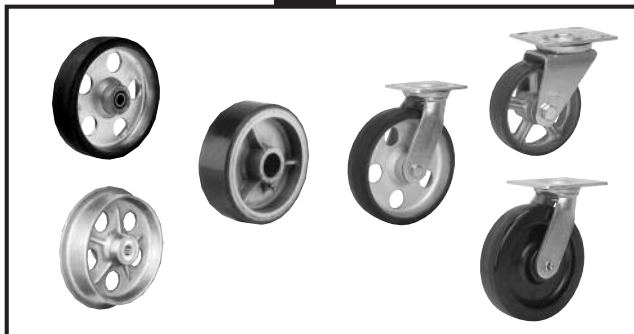
## DECK CHOICES:

- A. Smooth Steel**
- Economical and durable
- B. Varnished Hardwood Decks**
- More skid resistant
  - Non-corrosive
  - Absorbent
  - Replacement
- C. Diamond Tread Plate**
- Skid resistant
  - Weather resistant, good for outdoor use
  - Durable
- D. Open Steel Frame**
- Economical
  - Open frame allows loose material to fall through



## HITCHES & COUPLERS:

Our years of experience in the towable cart and in-plant trailer business have yielded a line of couplers that are extremely durable, easily adaptable and designed to match industry standards. These couplers are all designed to be welded on and are shipped unpainted.



## RUNNING GEAR:

Nutting offers heavy duty industrial casters and wheels with capacities up to 17,000 pounds. Nutting casters have been specifically developed to perform in towable and power driven applications. Forged components and quality materials keep these casters rolling when others have failed.

## SUPERSTRUCTURES:

Nutting has the design expertise and experience to adapt virtually any type of superstructure to help product interface and compliment any system operation.

This brochure was developed to provide a brief and general overview of the Nutting product line. Additional information and detailed specifications available upon request. For further assistance, please see your local Nutting distributor.

# TRACKING/TRAILING GUIDELINES

## 90° Turn - Aisle Width Requirement QUAD-STEER VS. DUAL-STEER

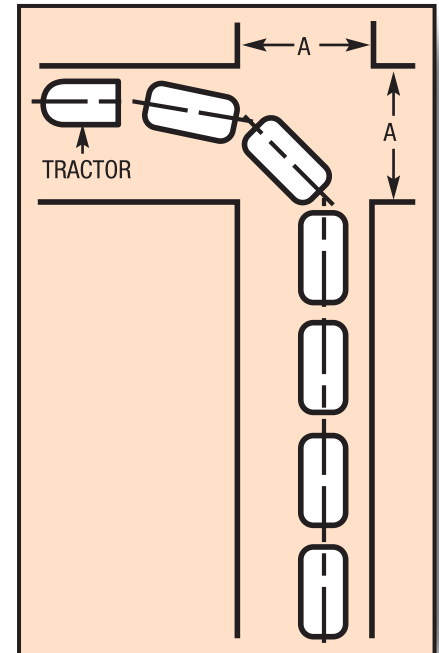
NUMBER OF TRAILERS						
1	2	3	4	5	6	

### QUAD-STEER

DECK SIZE	DIMENSION "A"					
36 x 60"	6'-3"	7'-3"	8'-1"	8'-9"	9'-3"	9'-9"
36 x 72"	6'-9"	7'-9"	8'-7"	9'-1"	9'-11"	10'-3"
48 x 96"	8'-5"	9'-5"	10'-4"	11'-2"	11'-11"	12'-5"

### DUAL-STEER

DECK SIZE	DIMENSION "A"					
36 x 60"	7'-2"	8'-0"	8'-9"	9'-5"	10'-0"	10'-6"
36 x 72"	7'-8"	8'-6"	9'-3"	9'-11"	10'-6"	11'-0"
48 x 96"	10'-2"	11'-2"	12'-1"	12'-11"	13'-8"	9'-9"



## 180° Turn - Aisle Width Requirement QUAD-STEER VS. DUAL-STEER

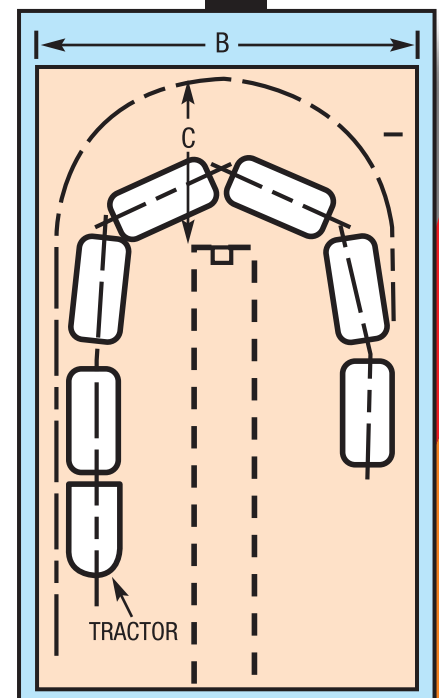
NUMBER OF TRAILERS						
1	2	3	4	5	6	

### QUAD-STEER

DECK SIZE	DIM "B"	DIMENSION "C"					
36 x 60"	15'-11"	6'-0"	6'-9"	7'-5"	8'-0"	8'-6"	8'-11"
36 x 72"	17'-6"	6'-6"	7'-3"	7'-11"	8'-6"	9'-0"	9'-5"
48 x 96"	22'-3"	7'-9"	8'-9"	9'-7"	10'-5"	11'-2"	11'-10"

### DUAL-STEER

DECK SIZE	DIM "B"	DIMENSION "C"					
36 x 60"	18'-0"	7'-4"	8'-2"	8'-11"	9'-7"	10'-2"	10'-8"
36 x 72"	19'-9"	8'-0"	8'-10"	9'-7"	10'-3"	10'-10"	11'-4"
48 x 96"	27'-10"	9'-11"	11'-2"	12'-4"	13'-5"	14'-5"	15'-4"







450 Pheasant Ridge Drive  
Watertown, SD 57201

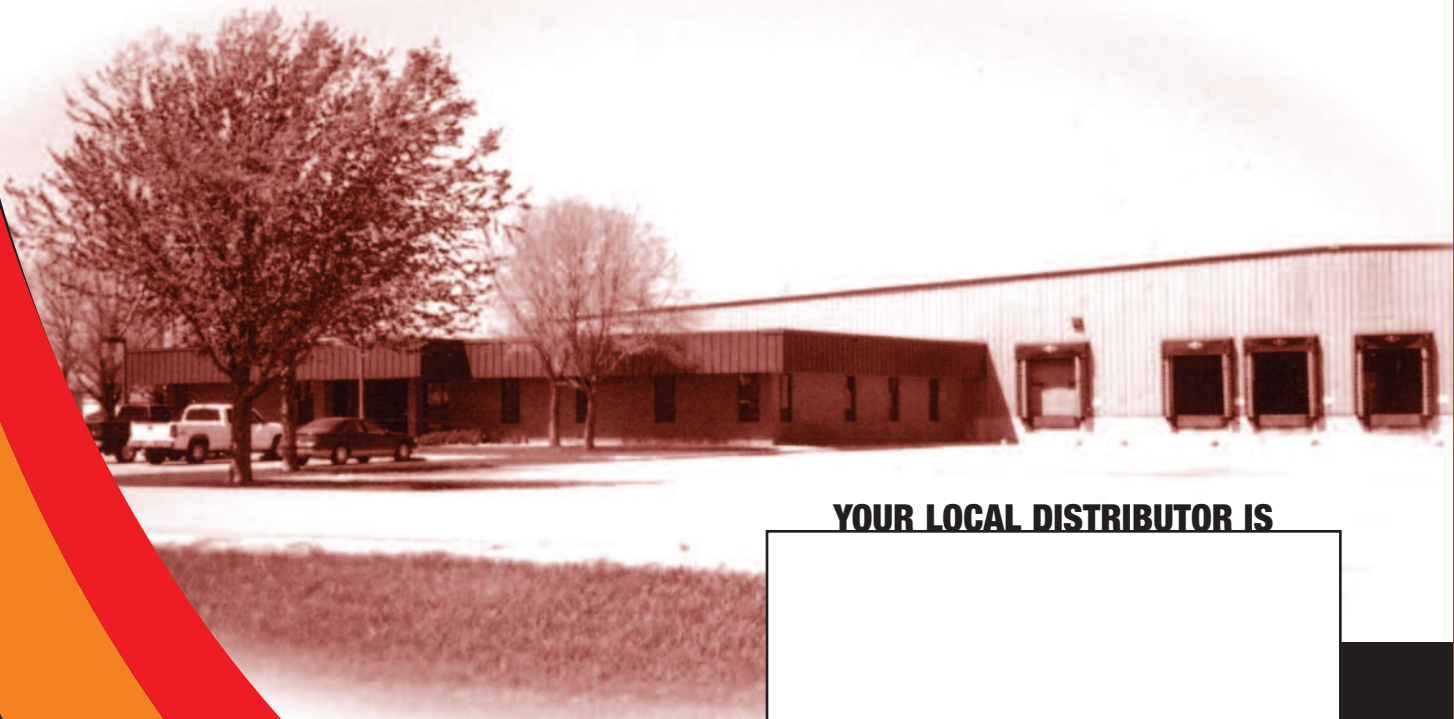
1-800-533-0337 [www.acconutting.com](http://www.acconutting.com)



Material Handling Solutions

Over a hundred years ago, in 1891, that Elijah Nutting was first approached by a Minnesota businessman having problems getting things for here to there. After carefully listening to the man's story, Elijah analyzed the problem, considered some of his client's suggestions, added a few ideas of his own, and then went to work – in time producing the first tilt style platform truck to carry his company's name. Much has happened since that day in 1891. For one thing, Nutting's reputation has grown considerably, making it one of the nation's premiere manufacturers of high quality material handling equipment. Nutting has literally been a company on the move with "all the right moves", seeking continuously to give you precisely what you demand: more reliable...great efficiency ...greater economical equipment...all with the tough, durable, and dependable products you have come to expect from Nutting.

- We provide the highest quality services to meet and exceed your expectations by delivering total performance satisfaction.
- We strive to deliver the finest solutions to our customers by seeking to fully understand their needs and requirements.
- We always put the customer's interests first and will never compromise on the quality and value of our work.



**YOUR LOCAL DISTRIBUTOR IS**